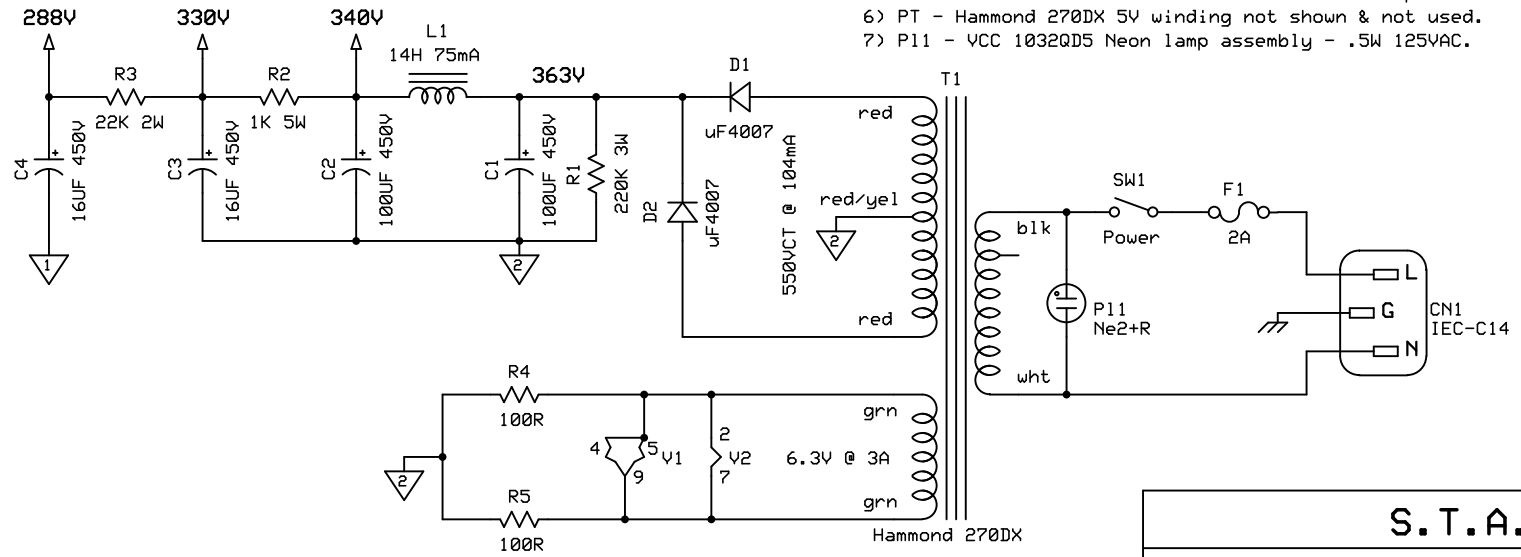


Tube Volt Chart

Pin	V1	V2
1	194	n/c
2	g1	fil
3	1.42	337
4	fil	328
5	fil	g1
6	197	n/c
7	g1	fil
8	1.46	23.4
9	fil	

- Notes:
- 1) All resistors are 1W CF, unless otherwise noted.
  - 2) L1 is Hammond 157L, 14H, 75mA, 430 ohm DCR.
  - 3) C7 is 50VDC Mylar Film type.
  - 4) OT - ClassicTone 40-18031 or Musical Power Supplies OT10SE.
  - 5) OT - MPS OT10SE is wired for 5K reflected impedance.
  - 6) PT - Hammond 270DX 5V winding not shown & not used.
  - 7) P11 - VCC 1032QD5 Neon lamp assembly - .5W 125VAC.



<b>S.T.A.C.</b>		
<b>EL Champ - 5E1 Variant</b>		
P. Mitcheltree	Rev 2.0	Page 1 of 1
	8/21/2021	