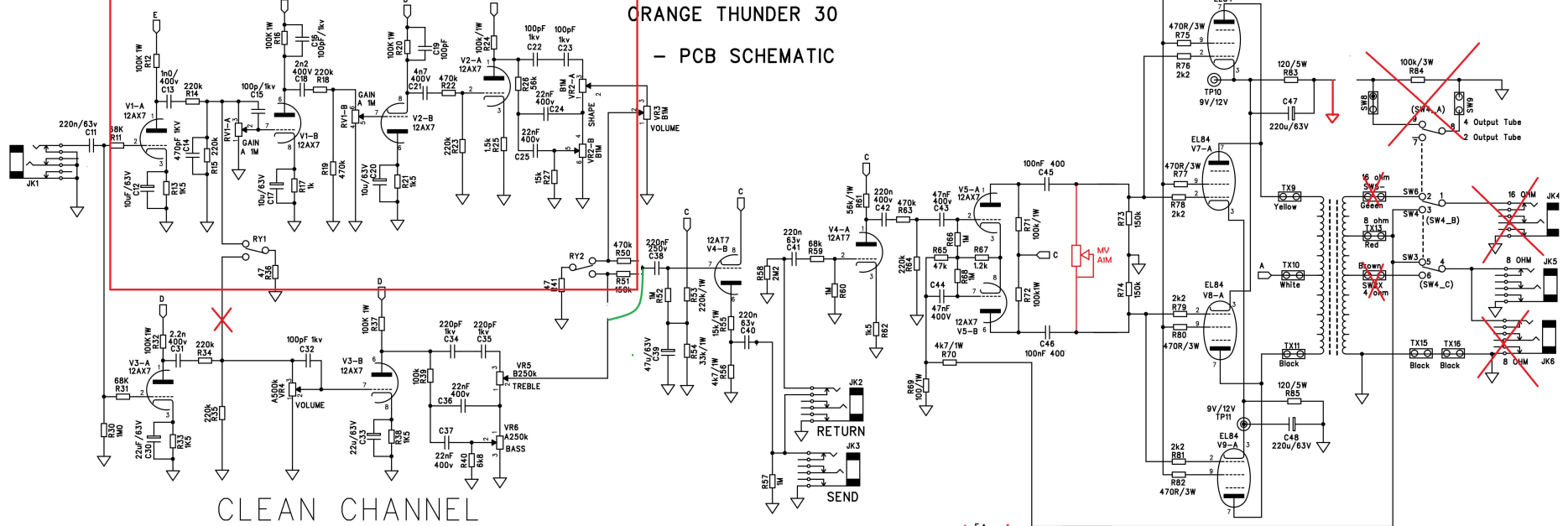
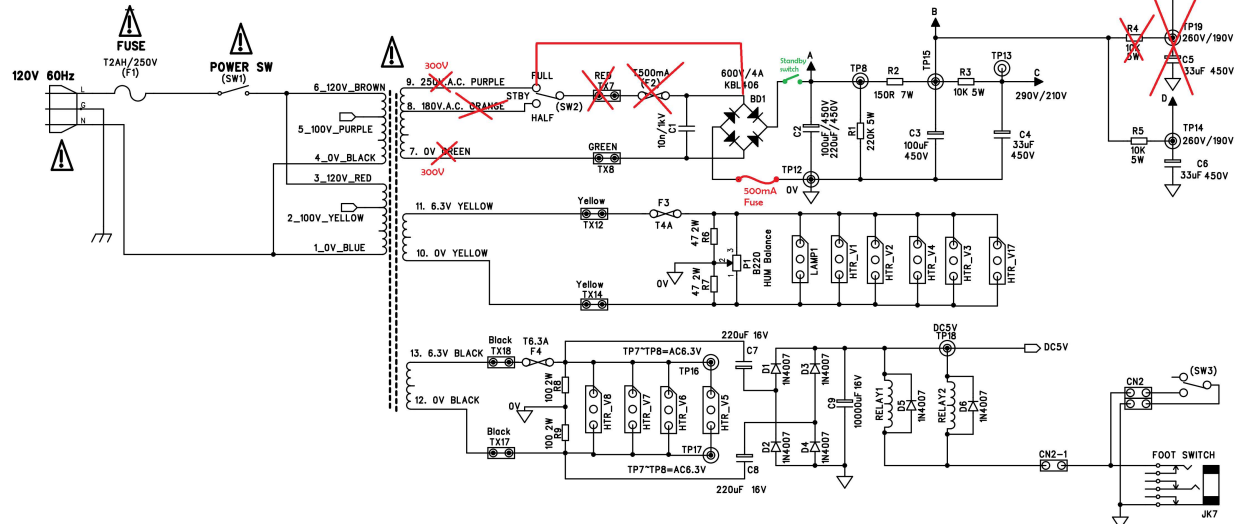


DIRTY CHANNEL

ORANGE THUNDER 30
- PCB SCHEMATIC



CLEAN CHANNEL



!
COMPONENTS USED ARE
OF AN APPROVED TYPE AND
MUST BE REPLACED ACCORDINGLY.

TITLE PREAMP & POWER AMP PCB
PROJECT TX17
DRAWING No ORANGE TIN TUBES
DATE 12 June 2008
SHEETS 1 OF 1
DESIGNED BY Paul Stevens
ORIGINAL CIRCUIT DESIGN BY Adrian Emley

ORANGE Musical Electronic Co Ltd
Denham Avenue
Great Britain
1st Floor, 20 8905 2828
Fax: +44 (0) 20 8905 2888
info@orangeempa.com