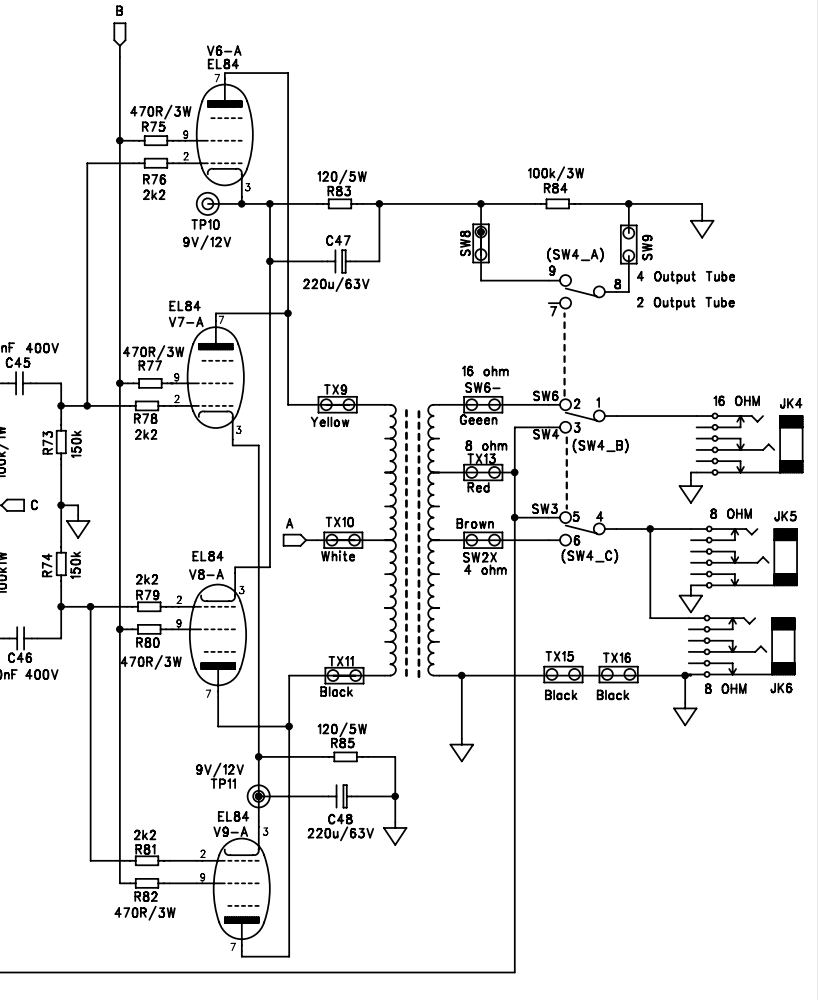
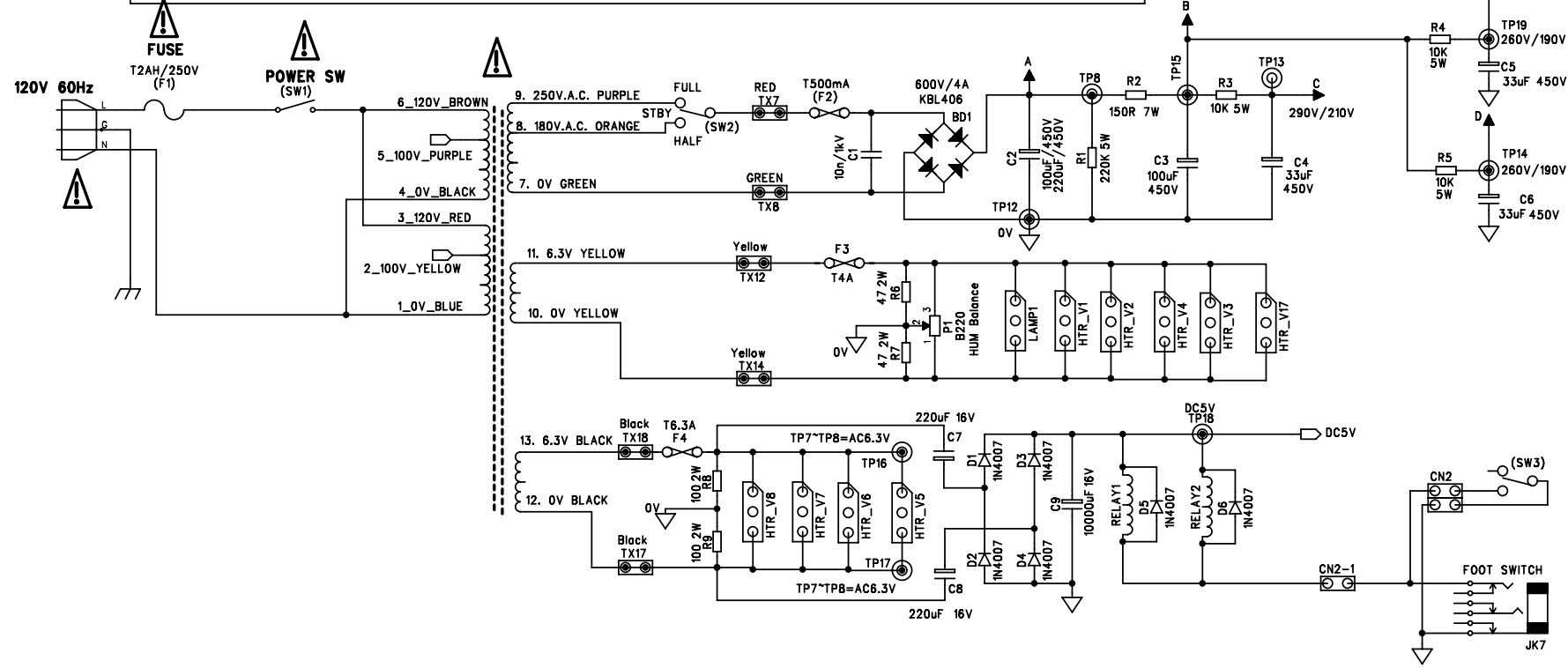
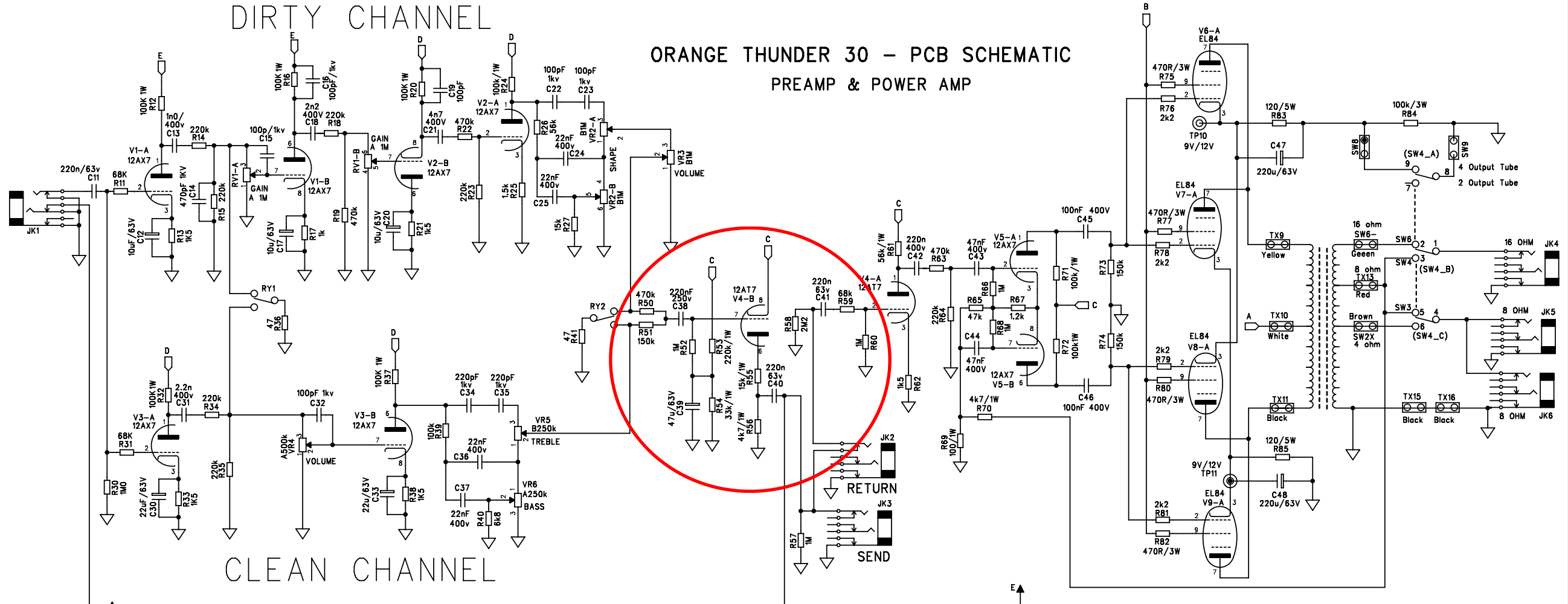


DIRTY CHANNEL

ORANGE THUNDER 30 - PCB SCHEMATIC
PREAMP & POWER AMP

CLEAN CHANNEL



COMPONENTS USED ARE OF AN APPROVED TYPE AND MUST BE REPLACED ACCORDINGLY

| | | |
|----------------------------|------------------------|----------------------------------|
| TITLE | PREAMP & POWER AMP PCB | ORANGE Musical Electronic Co Ltd |
| PROJECT | ORANGE TINY TERROR | Glenhaven Avenue |
| DRAWING No | ORA-CD211 | Borehamwood WD6 1AY |
| ISSUE | | Great Britain |
| DATE | 12 June 2008 | Tel: +44 (0) 20 8905 2828 |
| SCHEMATIC/PCB DRAWN BY | Paul Stevens | Fax: +44 (0) 20 8905 2868 |
| ORIGINAL CIRCUIT DESIGN BY | Adrian Emsley | info@orangamps.com |



TH 30

