

Musing 15
 Based on the AA864 Bassman
 Bass Channel Preamp
 Drawn by dwinstonwood
 07/11/2022

Musing 15

Based on the AA864 Bassman
Bass Channel Preamp
Drawn by dwinstonwood
06/01/2022

Fuse Power 8Ω Speaker NFB On/Off

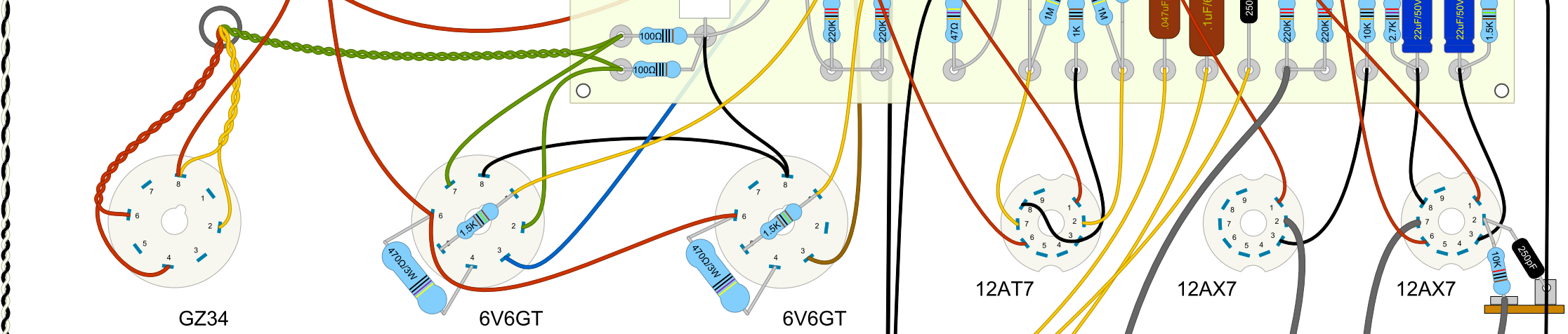
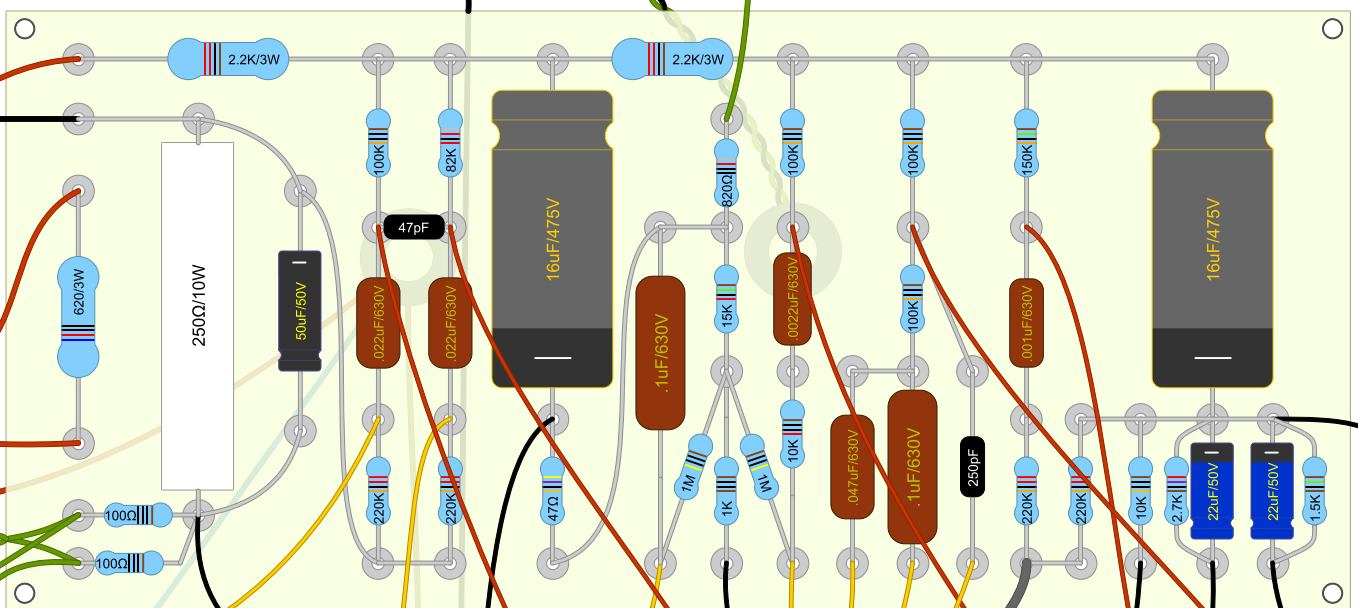
120VAC

Hoffman Stout Chassis 12" x 6.5" x 2.5"

7" x 3.125" Board

Hammond Transformers
Power: 270EX
Output: 1750H
Choke: 194A

32uF/32uF/500V



GZ34

6V6GT

6V6GT

12AT7

12AX7

12AX7

Bass
250K Log

Mid
25K Lin

Treble
250K Log

Off
120V
On
Bright

Gain
500K Log

Volume
1M Log

120V Neon

