

REVISION RECORD			
LTR	ECO NO.	APPROVED	DATE

D

D

C

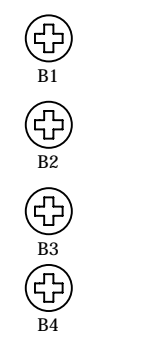
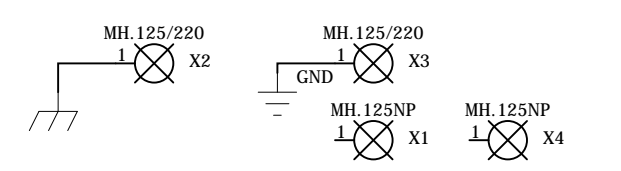
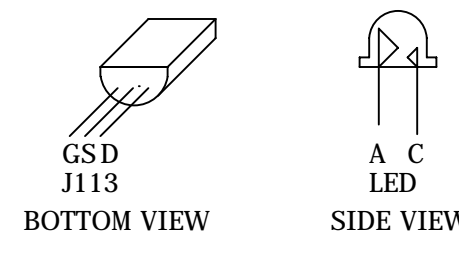
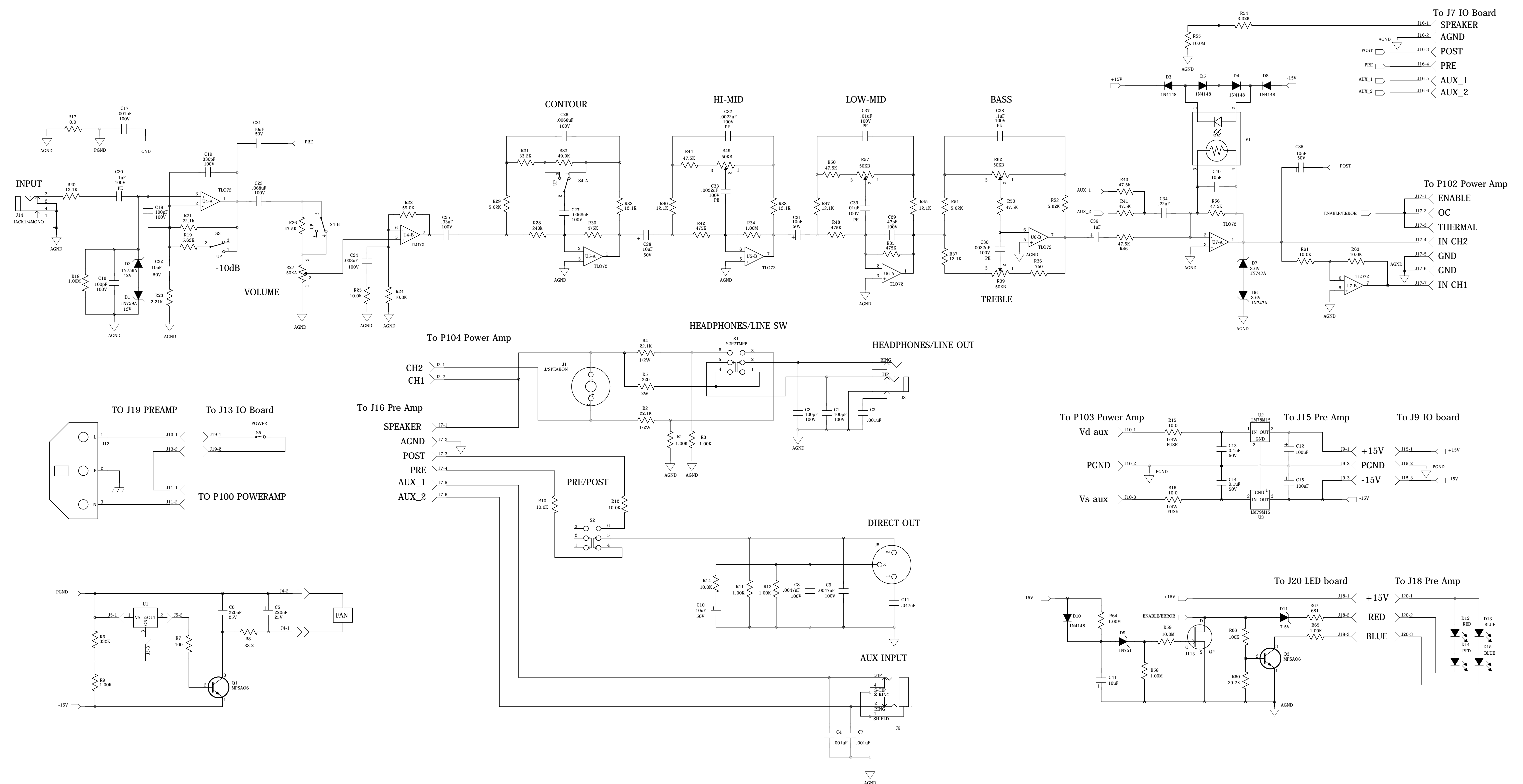
C

B

B

A

A



NOT VALID UNLESS STAMP IS RED

**gallien technology**

2234 INDUSTRIAL DRIVE  
STOCKTON CA. 95206  
VOICE: 209-234-7300  
FAX: 209-234-8420

DD: NEW VOICING B1: CONTOUR SWITCH & PRE/POST FIX B2: HUM PROBLEM FROM AUX IN FIXED		APPROVALS INIT: R.A.G. DATE: 08/24/09 DRAWN: D.O. DATE: 08/24/09 ELEC: MOD BY: D.O. DATE: 09/20/10 Q/A: RELEASED:		TITLE: <b>MB200 PREAMP</b> DRAWING NO: 406-0630-B2 PART NO: 206-0630-B2 COMPANY: GALLIEN-KRUEGER FILENAME: 6630B2.SCH		REV: <b>B2</b>
---	--	---	--	--	--	-------------------