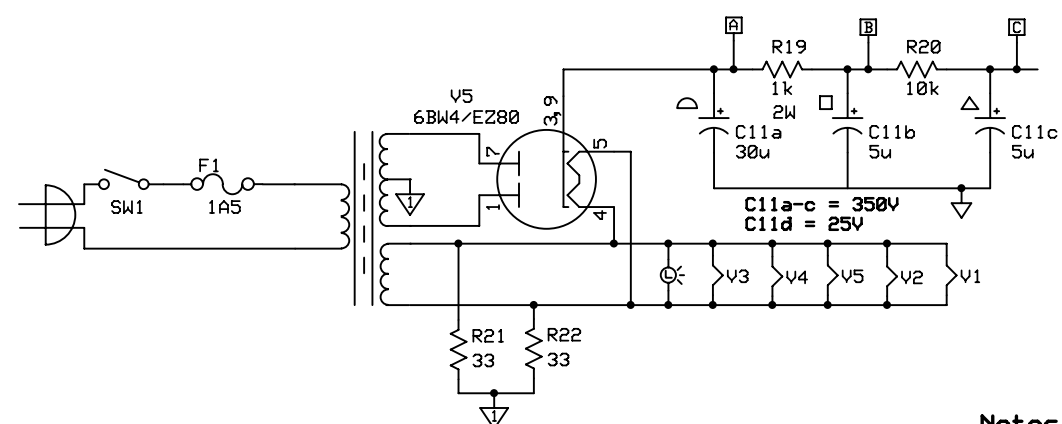


The Tone Stack from Hell



Notes:
 All Resistors 1/2W UON
 All Capacitors 400V UON

Reverse Engineered By:
 H. Mitcheltree

S.T.A.C.	
Bogen K10	
Rev 1.1	Boom!
8/7/2009	