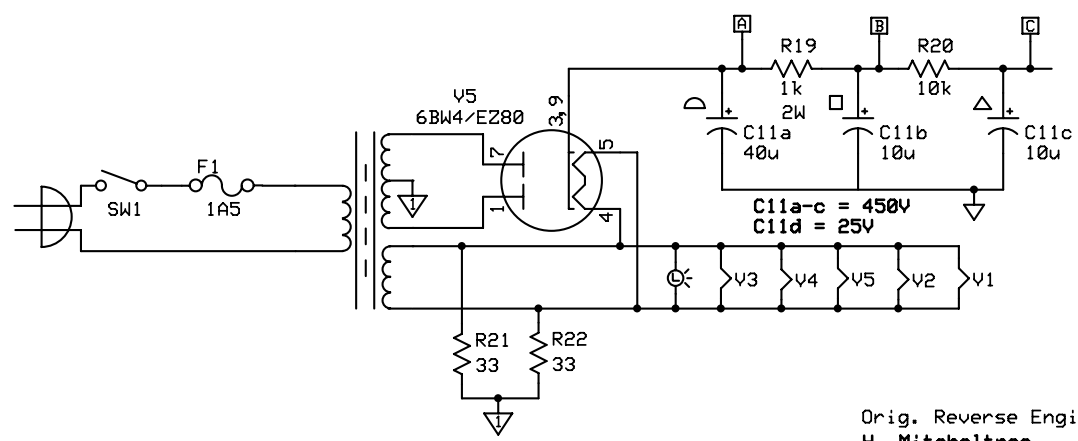


Notes:
 All Resistors 1/2W UON
 All Capacitors 400V UON



Orig. Reverse Engineered By:
 H. Mitcheltree

S.T.A.C.		
Bogen K10 - Hacked		
	Rev 1.3	
	8/7/2009	Boom!