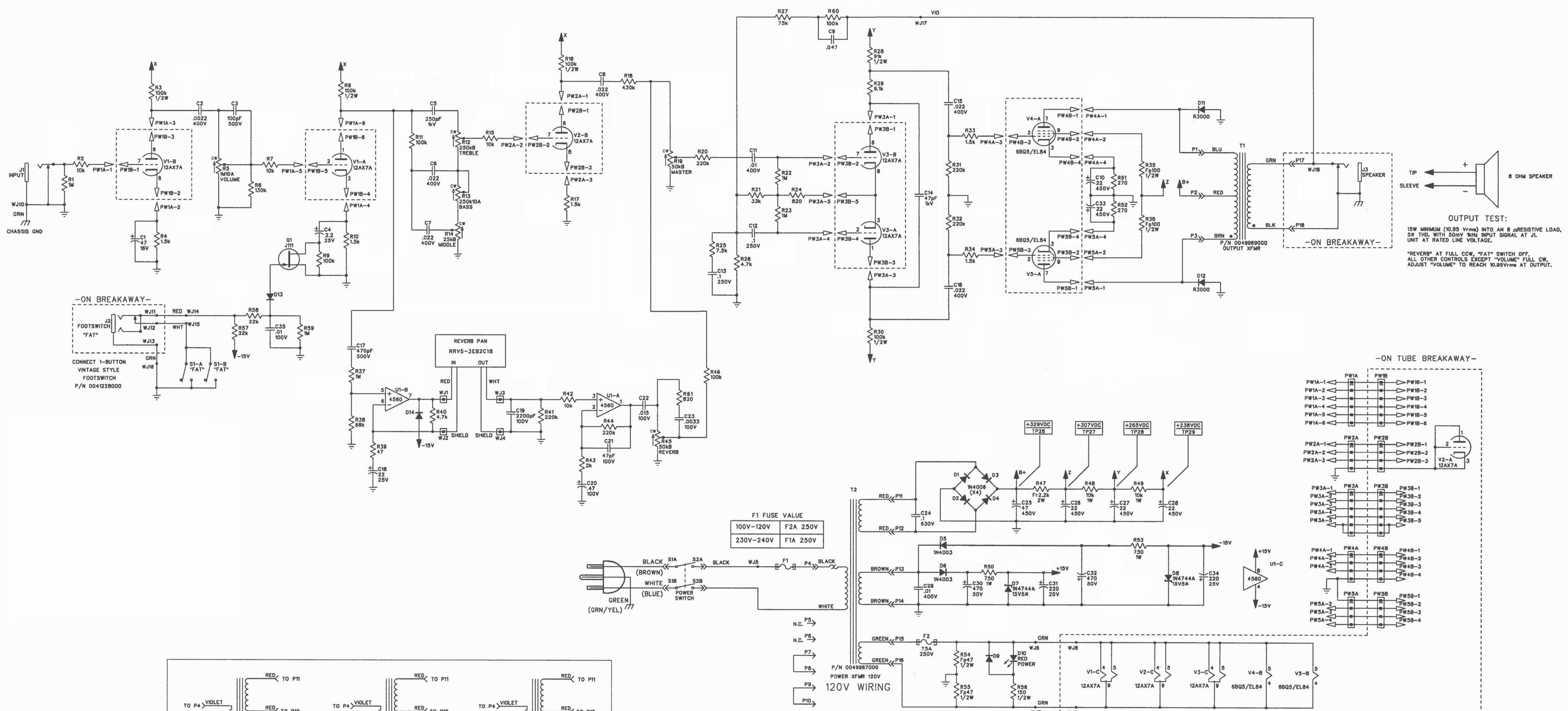
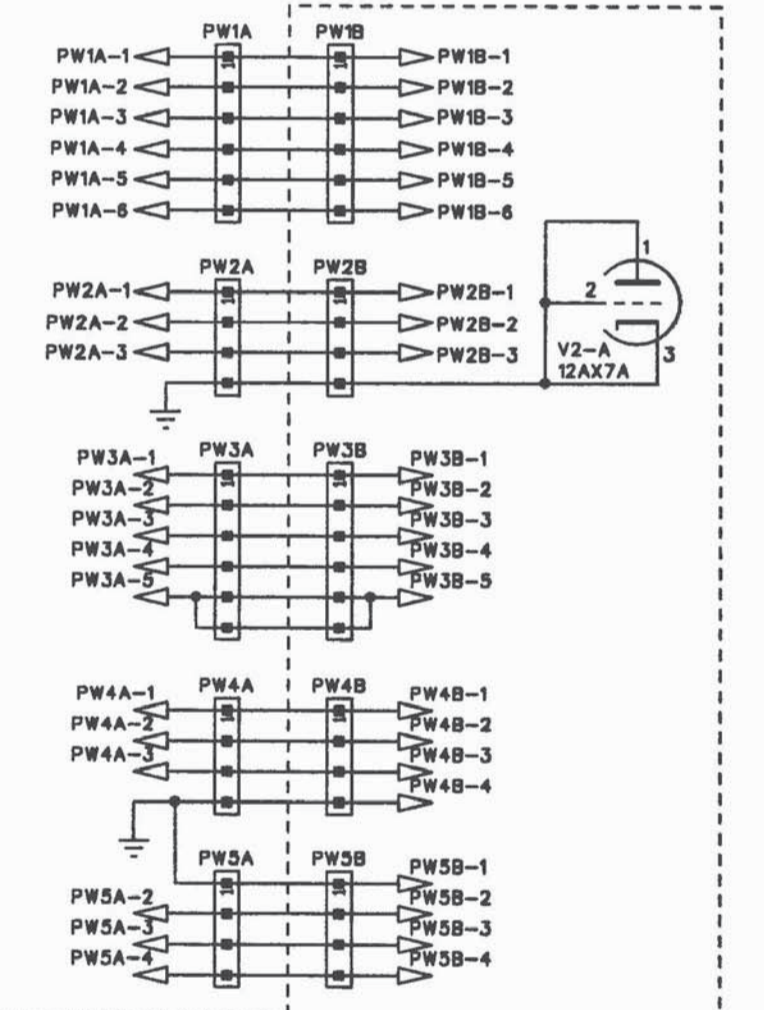


REVISIONS			
REV.	DESCRIPTION	DATE	APPROVED
A	REV. A	2019	
B			
C			
D			

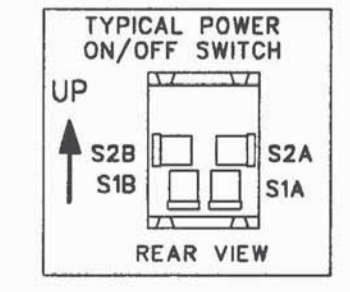
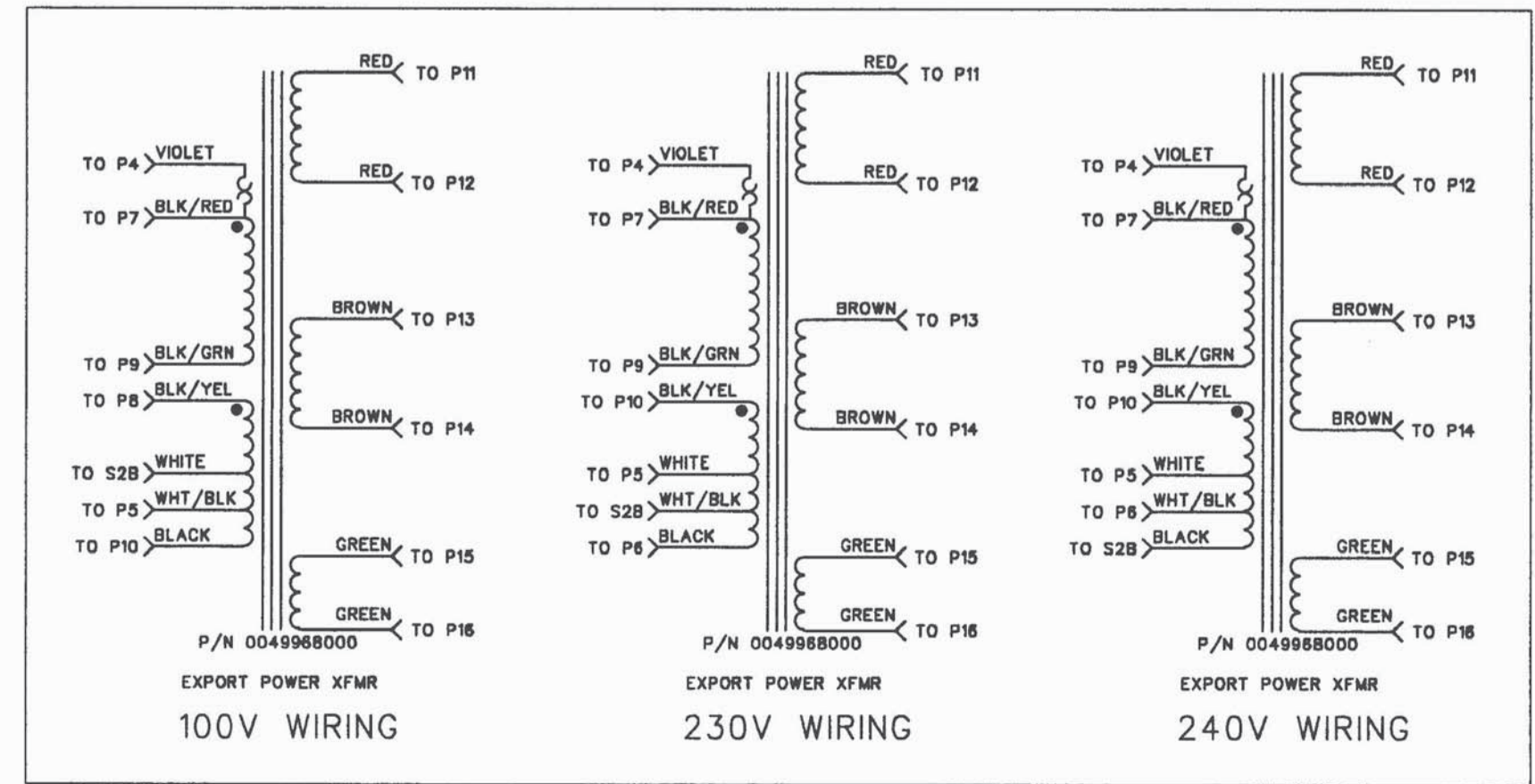
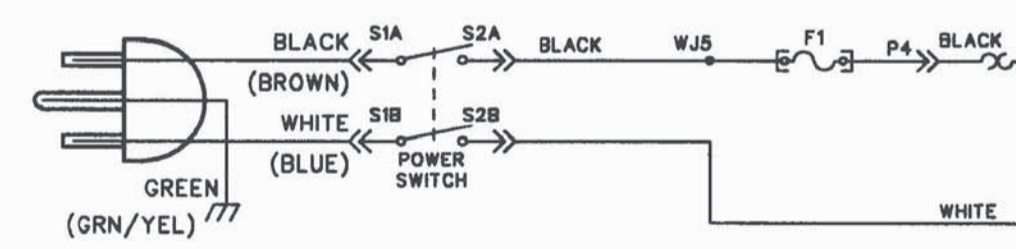


OUTPUT TEST:
 15W MINIMUM (10.95 Vrms) INTO AN 8 Ω RESISTIVE LOAD, 5% THD, WITH 50mV 1kHz INPUT SIGNAL AT J1. UNIT AT RATED LINE VOLTAGE.
 REVERB AT FULL CCW, *FAT* SWITCH OFF. ALL OTHER CONTROLS EXCEPT *VOLUME* FULL CW. ADJUST *VOLUME* TO REACH 10.95Vrms AT OUTPUT.

-ON TUBE BREAKAWAY-



F1 FUSE VALUE	
100V-120V	F2A 250V
230V-240V	F1A 250V



- AC AND DC VOLTAGES READ WITH RESPECT TO GROUND WITH A DVM UNDER THE FOLLOWING CONDITIONS:
 UNIT AT RATED LINE VOLTAGE
 NO INPUT SIGNAL (TP20-TP37 ONLY)
 VOLTAGES MAY VARY +/- 20%
 - ADDITIONAL CONDITIONS FOR TP1-TP10:
 10mVrms, 1kHz SINEWAVE INPUT SIGNAL AT J1
 8Ω RESISTIVE LOAD CONNECTED AT J3
 REVERB PAN CONNECTED
 REVERB AT FULL CCW, *FAT* SWITCH OUT (OFF)
 ALL OTHER CONTROLS AT 50% ROTATION.
 -
 - ALL DIODES ARE 1N4448.
 - ALL POLARIZED CAPACITORS IN μF, 20% OR BETTER; 50V MINIMUM. (POWER SUPPLY BYPASS CAPACITORS ARE 20%).
 - ALL RESISTORS IN OHMS, 5% OR BETTER; 1/4W.
- NOTES: (UNLESS OTHERWISE NOTED)

DRAWING VERSION 1.1 (July 2022)
 WARNING: MAY CONTAIN MISTAKES

Fender MUSICAL INSTRUMENTS Corona, CA U.S.A.		TITLE: SERVICE DIAGRAM, COMBINED (schematic)	
		BLUES JUNIOR IV	
CHECKED BY: _____	DATE: _____	SIZE: D	DRAWING NUMBER: _____
APPROVED BY: _____	DATE: _____	REV.:	_____
DRAWN: ENGR: _____	RELEASE DATE: _____	SHEET: 1	OF 2