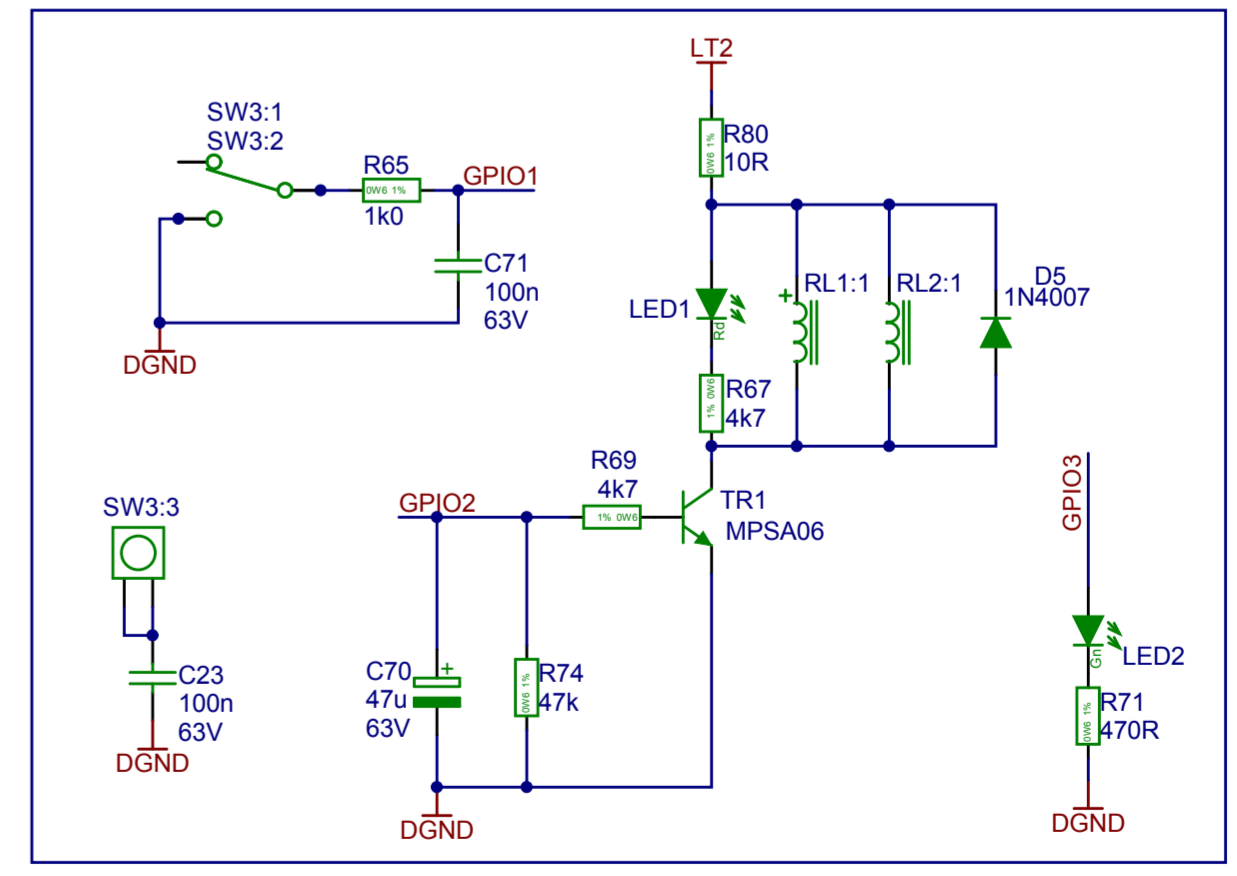
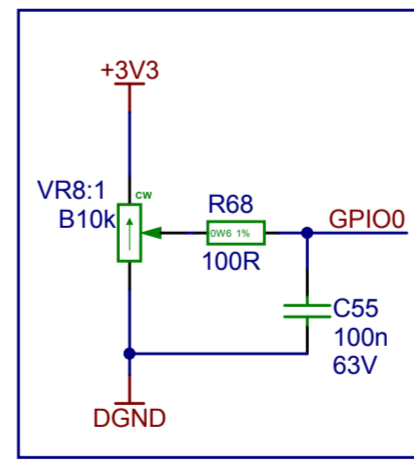


CHANNEL SWITCHING



REVERB



ISS	ECO NUMBER	DATE

MATERIAL	DIMENSIONS IN mm
MATERIAL THICKNESS	TOLERANCE (UNLESS OTHERWISE STATED)
DRAWN	DATE
CHECKED	DATE
APPROVED ?	DATE ?

MODEL	DSL5-R
-------	--------



TITLE	MAIN PCB
DWG. No.	DSL5R-60-02-V1
ISS	1
Sheet	1 of 1
Date:	20/02/2017

