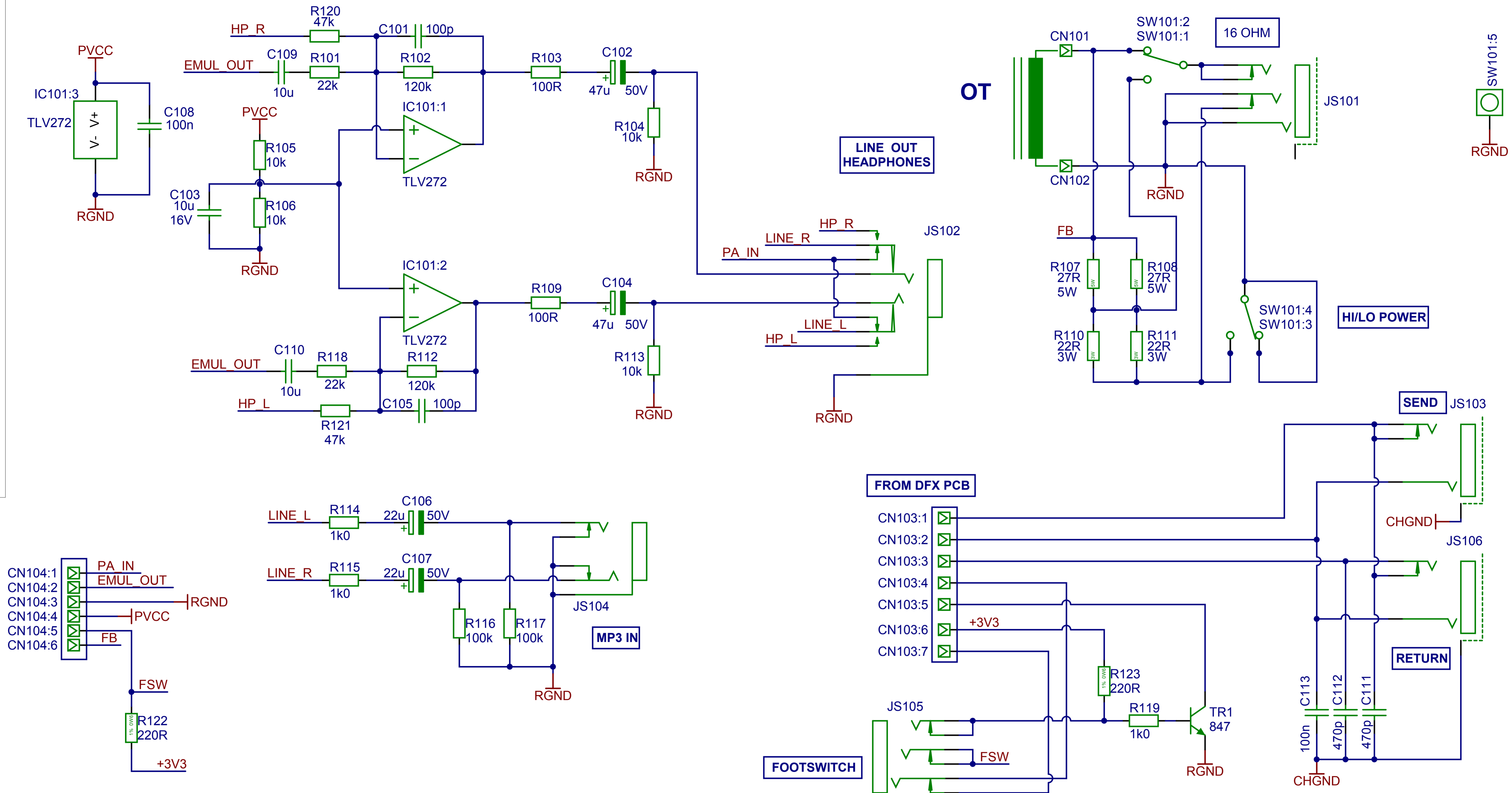


DWG. No. DSL5R-61-02-V1



MATERIAL		DIMENSIONS IN mm	
MATERIAL THICKNESS		TOLERANCE (UNLESS OTHERWISE STATED)	
7	Sch/PCB Update ACS 13-09-16	DRAWN A.C	DATE 02.09.2016
6	Sch/PCB Update PGS 15-07-16	CHECKED P.G.S	DATE 13-09-16
ISS	ECO NUMBER	DATE	APPROVED JEM
		DATE 26.09.16	

MODEL
DSL5-R



TITLE		
DSL5-R Rear		
DWG. No.	ISS	Sheet
DSL5R-61-02-V1	1	1 of 1

File: DSL5M2-61-02-V1.SchDoc

Date: 20/02/2017