

Before Modification.

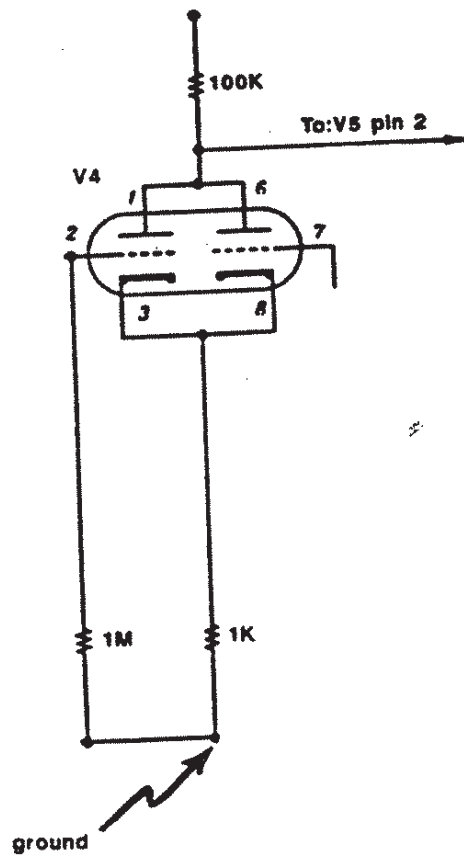
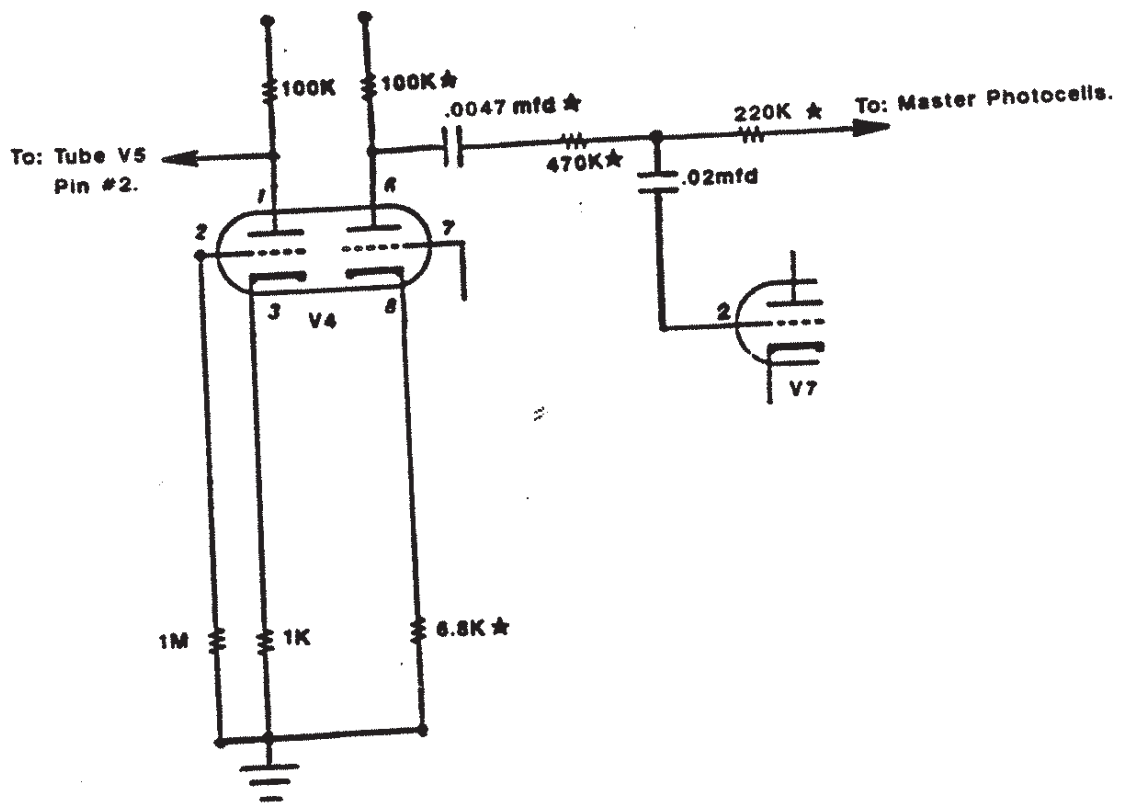


FIGURE 3

FIGURE 4

After Modification.



★ Parts added.