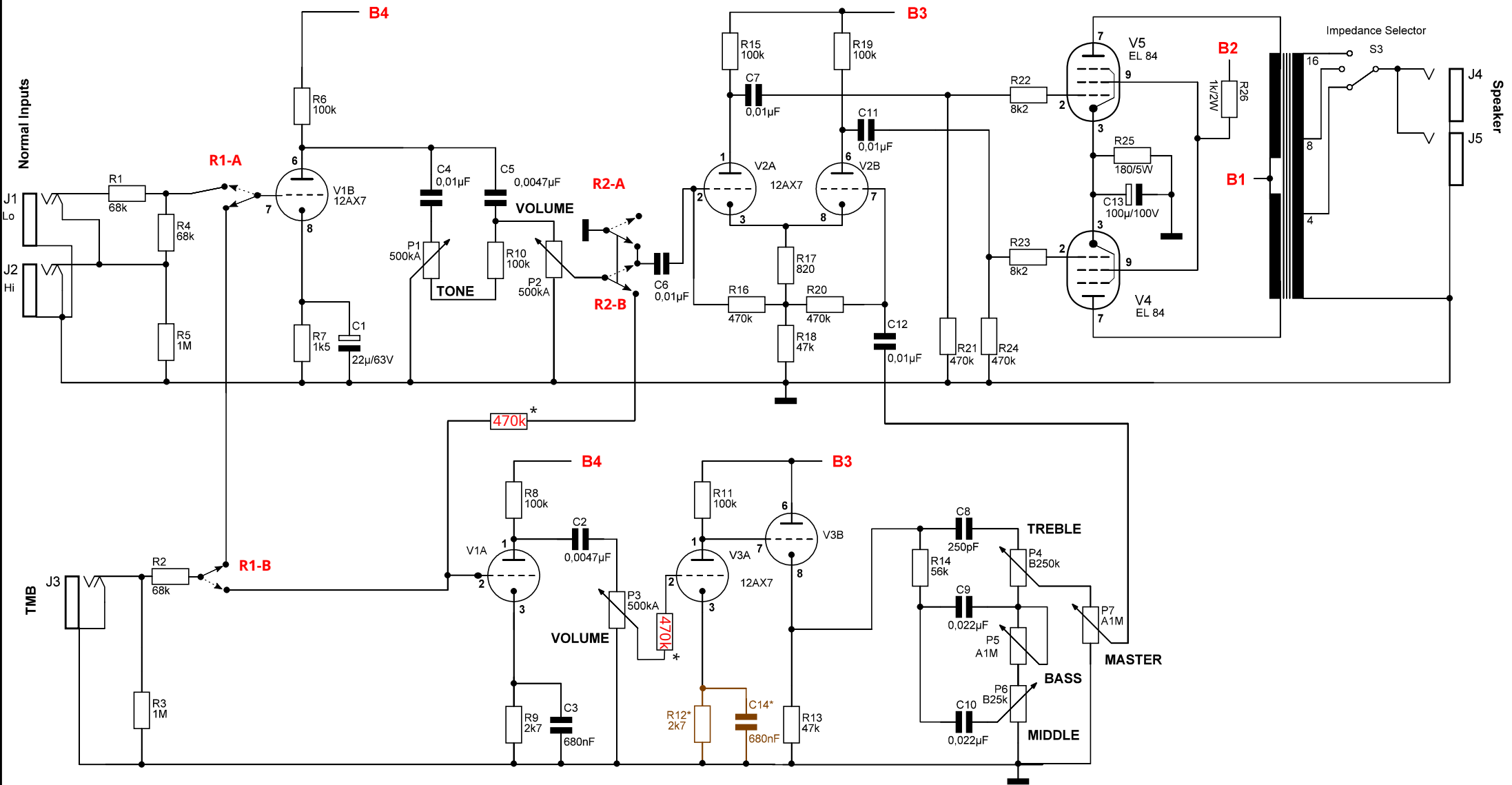


# TT 18 Watt TMB - Pre & Poweramp



\* Added grid stoppers  
R1 and R2 DPDT Relay 5VDC