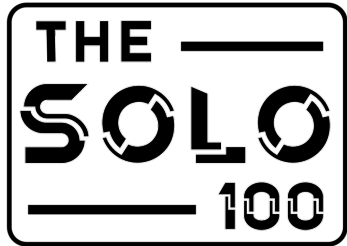
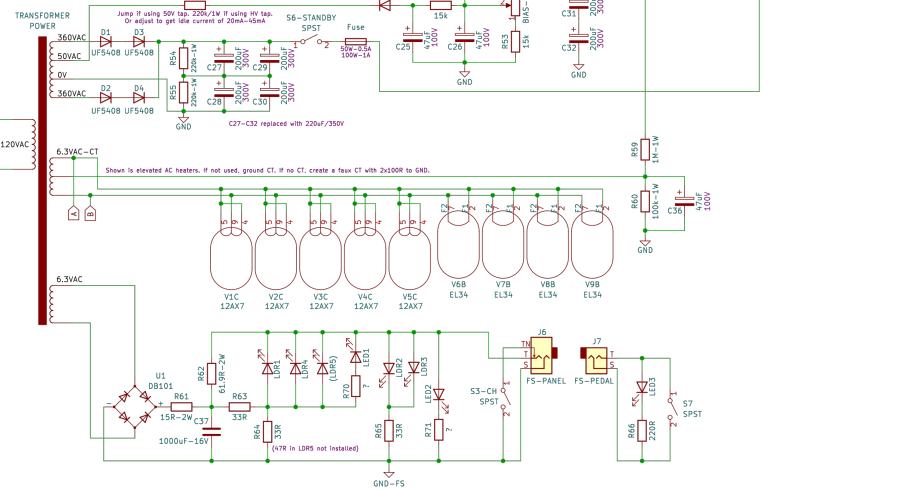
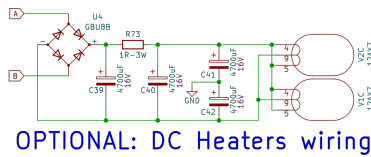


The information on this document has been carefully checked and is believed to be accurate: AA Electronics IS NOT RESPONSIBLE for any misprints, typo errors or printing mistakes which may cause damage to people or equipment. AA Electronics reserves the right to make design changes or improvements without obligation to revise prior versions. All specifications are subject to change without notice.

For any question or erratas, please write to andrea.antonello.uk@gmail.com

All names, logos and IP are property of the respective owners. This diagram is for reference only. The information contained in this document is for personal use only.



WARNING: Guitar amplifiers contain LETHAL high voltages, sometimes over 700 volts AC and 500 volts DC. Even unplugged filter capacitors can store enough voltage to do permanent harm or be lethal. Any modifications are done entirely at your own risk and AA Electronics assumes no liability or responsibility, under any circumstance, for personal injury or damage to property or personal property.

AA Electronics
 Sheet: /
 File: slo_100_ldr.kicad_sch
Title: The Solo 100 Schematic
 Size: User Date: 2022-10-28
 Kicad E.D.A. eschema (6.0.7-1)-1
 Rev: 1.0.0
 10: 1/1