

Smokin' Joe I *Weber* Rev - 09/10/06

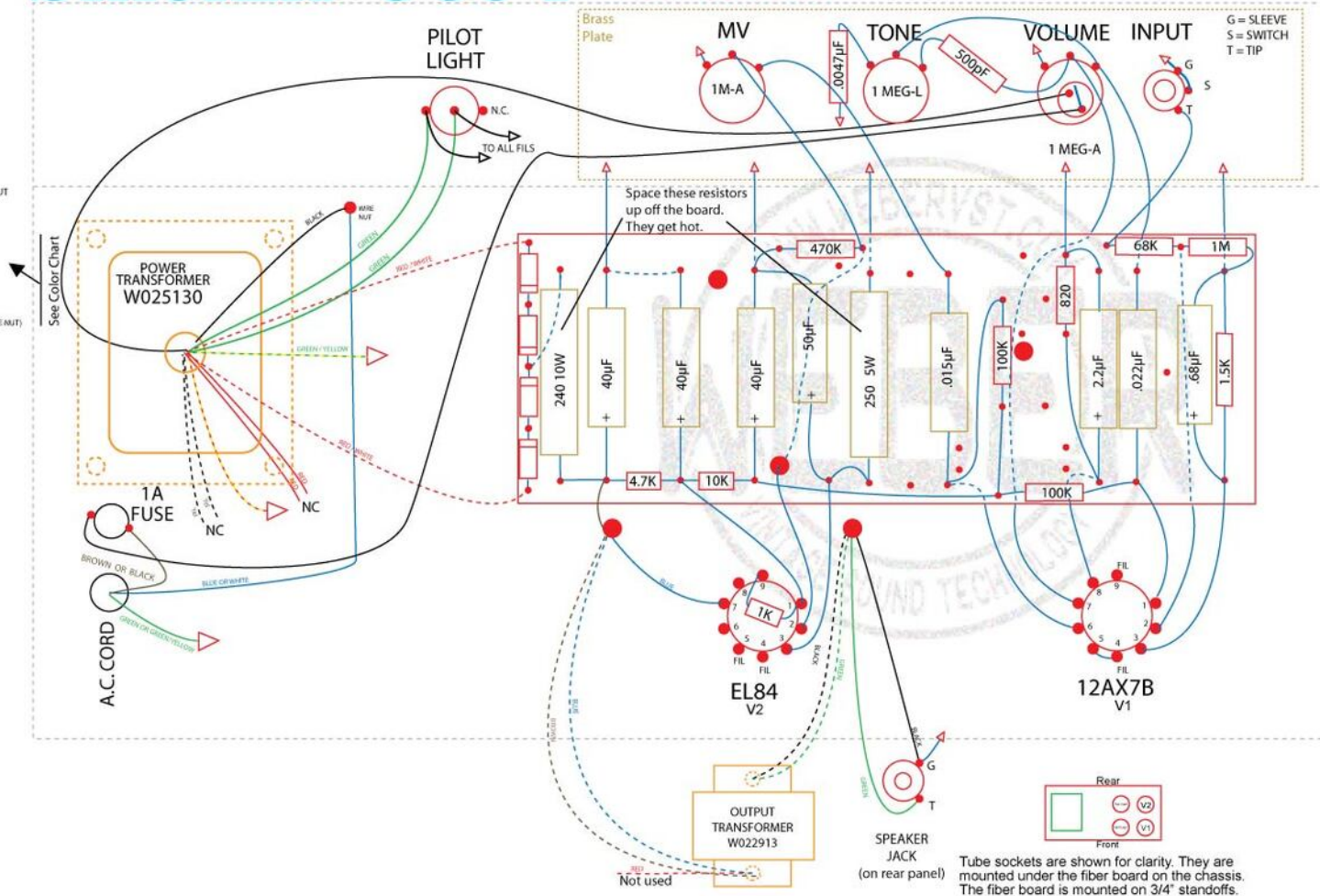
US PT

- BLUE 125V
- BROWN 120V
- BLACK WIRE NUT

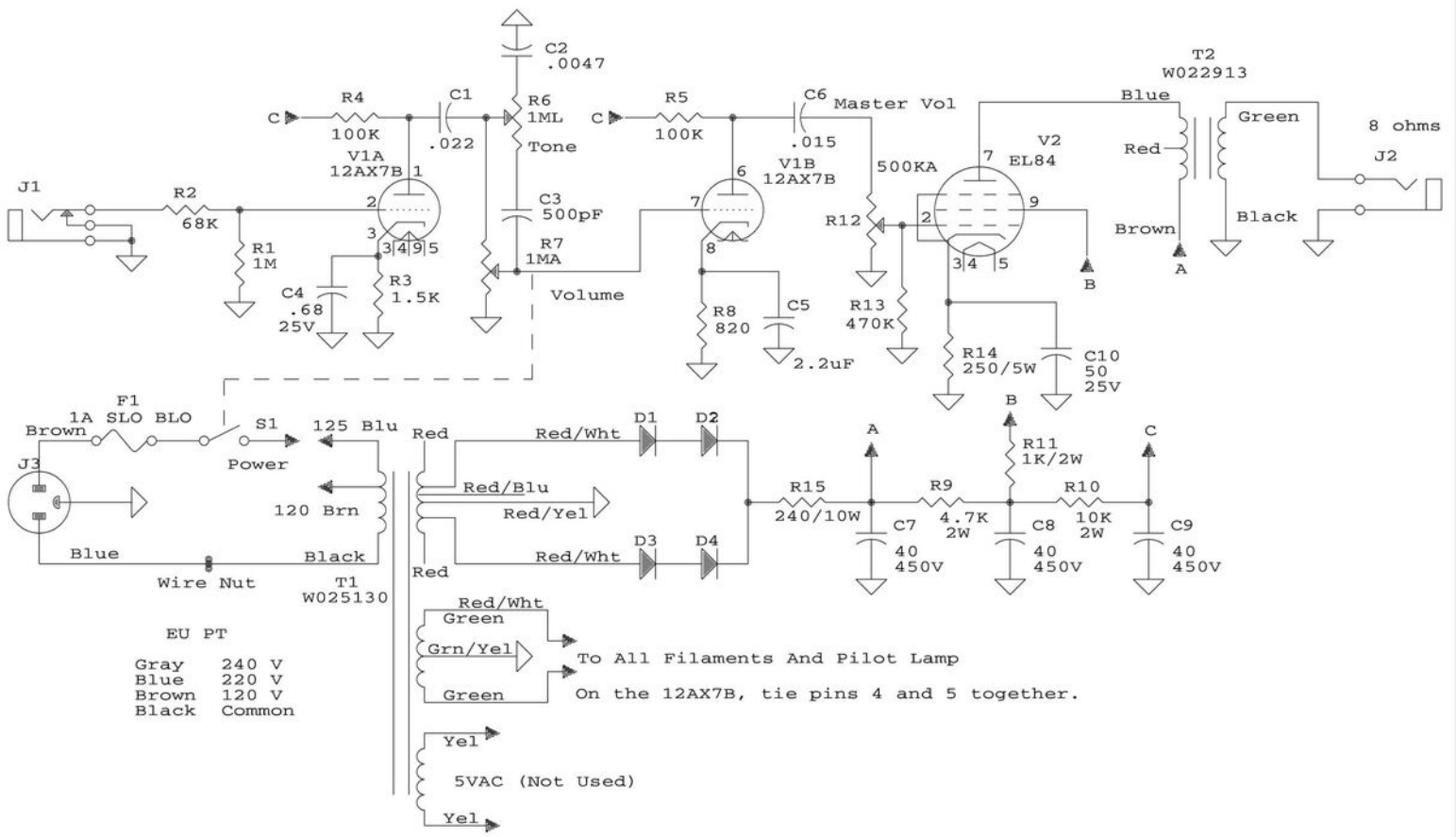
EU PT

- GRAY 240V
- BLUE 220V
- BROWN 120V
- BLACK COMBACH (WIRE NUT)

G = SLEEVE
S = SWITCH
T = TIP



Tube sockets are shown for clarity. They are mounted under the fiber board on the chassis. The fiber board is mounted on 3/4" standoffs.



Weber Kits		
Title		
Smokin' Joe I		
Size	Document Number	REV
A		
Date:	November 1, 2006	Sheet 1 of 1

P-GTP-001 - Champ Power Transformer

Typical Characteristics

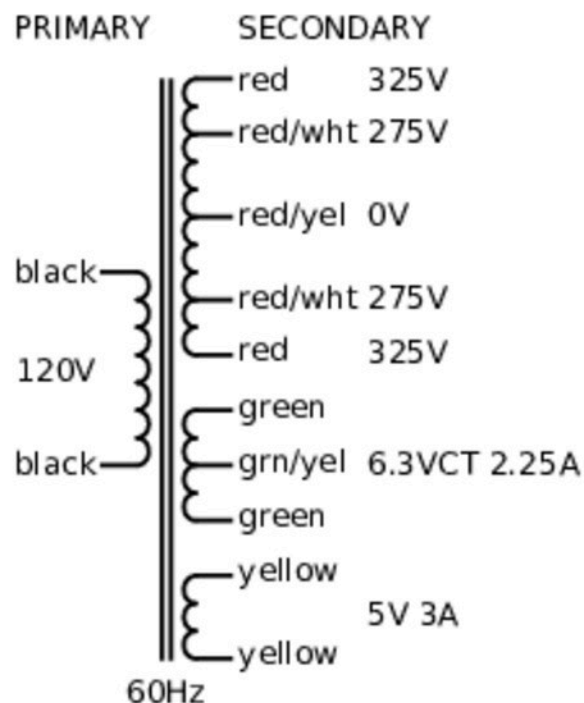
Primary	120V 60Hz
Secondary 1	650/550 VCT 100mA
Secondary 2	6.3VCT 2.25A
Secondary 3	5V 3A
Iex at 120V 60Hz	146mA

Typ. DC Resistance

Black to Black	3.965Ω ±20%
Red to Red	283.4Ω ±20%
Green to Green	0.134Ω ±20%
Yellow to Yellow	0.111Ω ±20%

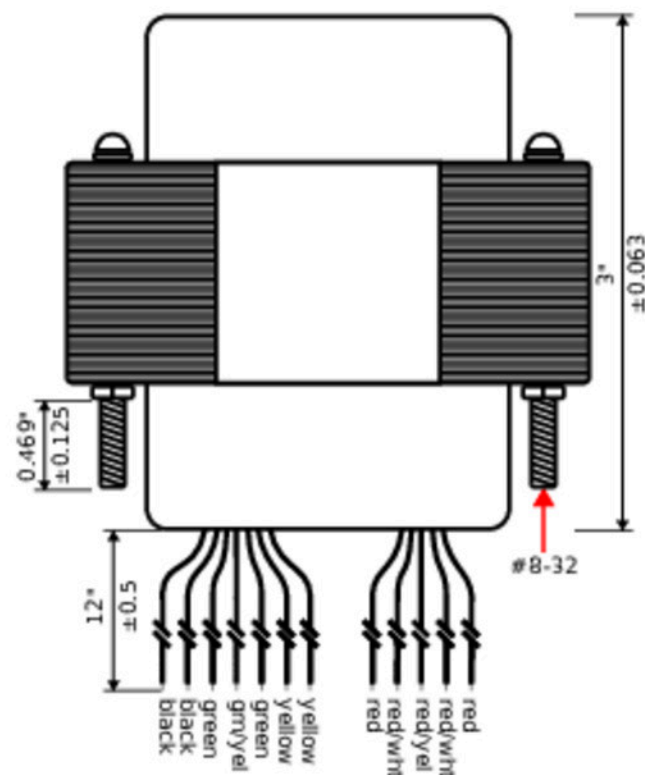
Typ. Secondary No Load Voltage

Red/Yel to Red	351.25V ±2%
Red to Red	702.5V ±2%
Red/Yel to Red/Wht	297.7V ±2%
Red/Wht to Red/Wht	595.4V ±2%
Green/Yel to Green	3.42V ±2%
Green to Green	6.84V ±2%
Yellow to Yellow	5.42V ±2%

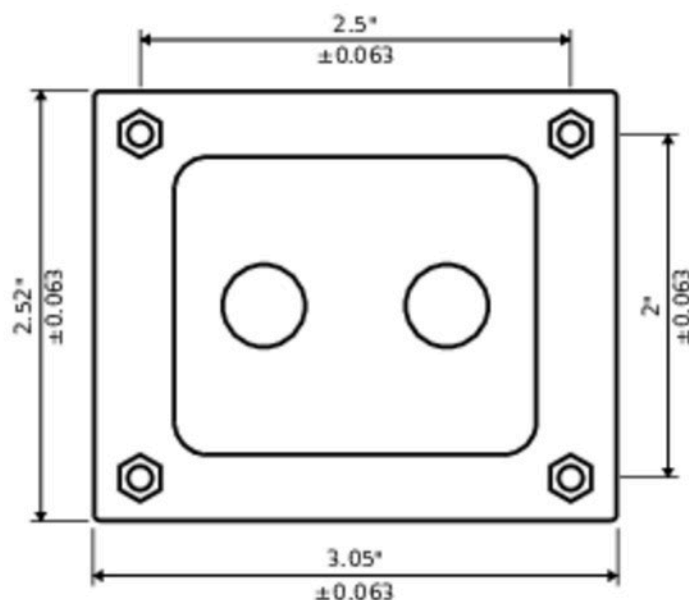


HI-POT PRI to SEC: 3000VAC 60Hz 1mA 2 sec.

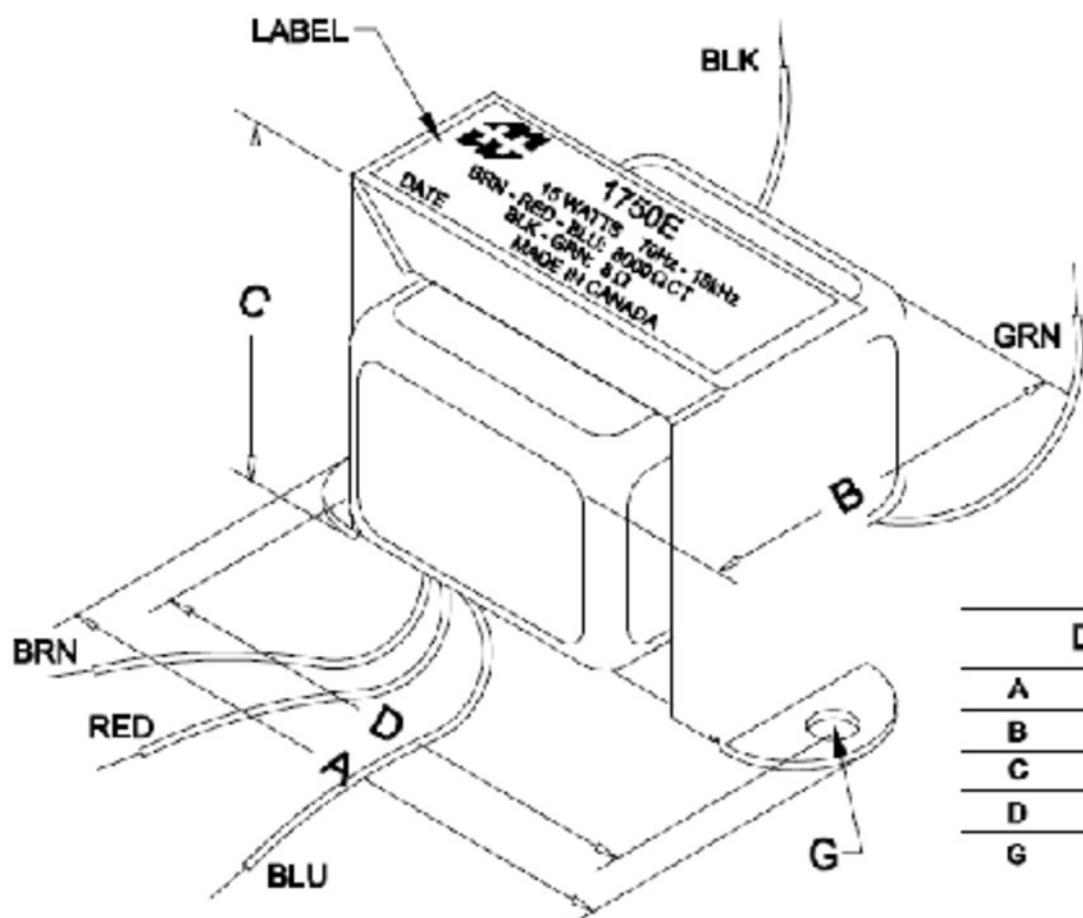
SIDE VIEW



BOTTOM VIEW



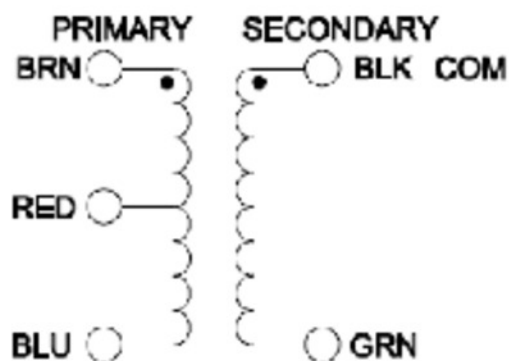
1750E



NOTE: ALL LEADS 9" LONG MIN.

DIMENSIONS:

A	3.250" ±0.083
B	2.085" ±0.125
C	1.995" ±0.063
D	2.813" ±0.063
G	0.187" ±0.015



ELECTRICAL DATA:

Turns ratio	31.91 : 1
Inductance	@240V, 70Hz => 136.42H (Open circuit)
DCR	@ 20C, BLU-RED = RED-BRN = 150Ohm ±20%
	@ 20C, BRN-BLU=300Ohm ±20%
	@ 20C, BLK-GRN=0.450Ohm ±20%
FREQ. RESP	@15W(348.3V), 70Hz-15kHz, BRN-BLU ±1db (Ref. 1kHz)
Pri. Impedance	8000Ohm (346.3V) CT
Sec. Impedance	80Ohm (10.95V@1.37A)
Power	15 WATTS