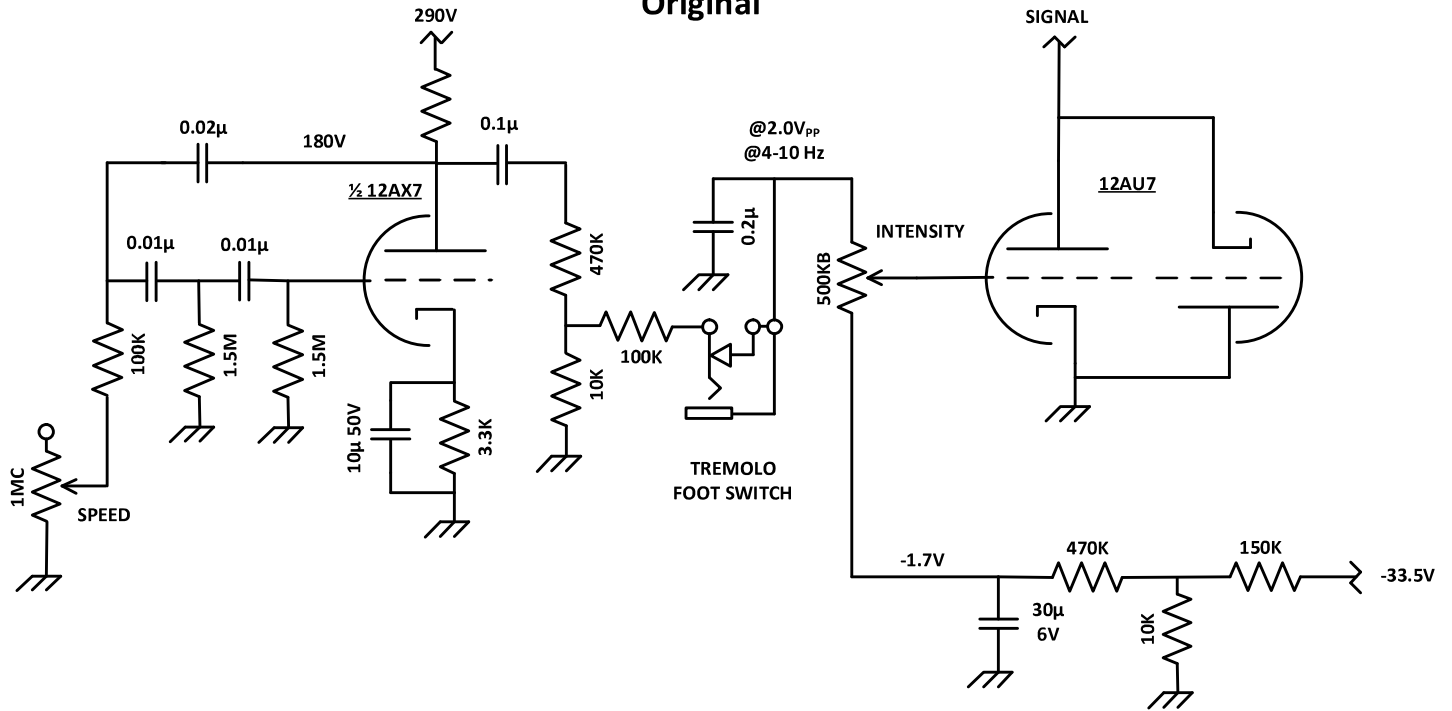
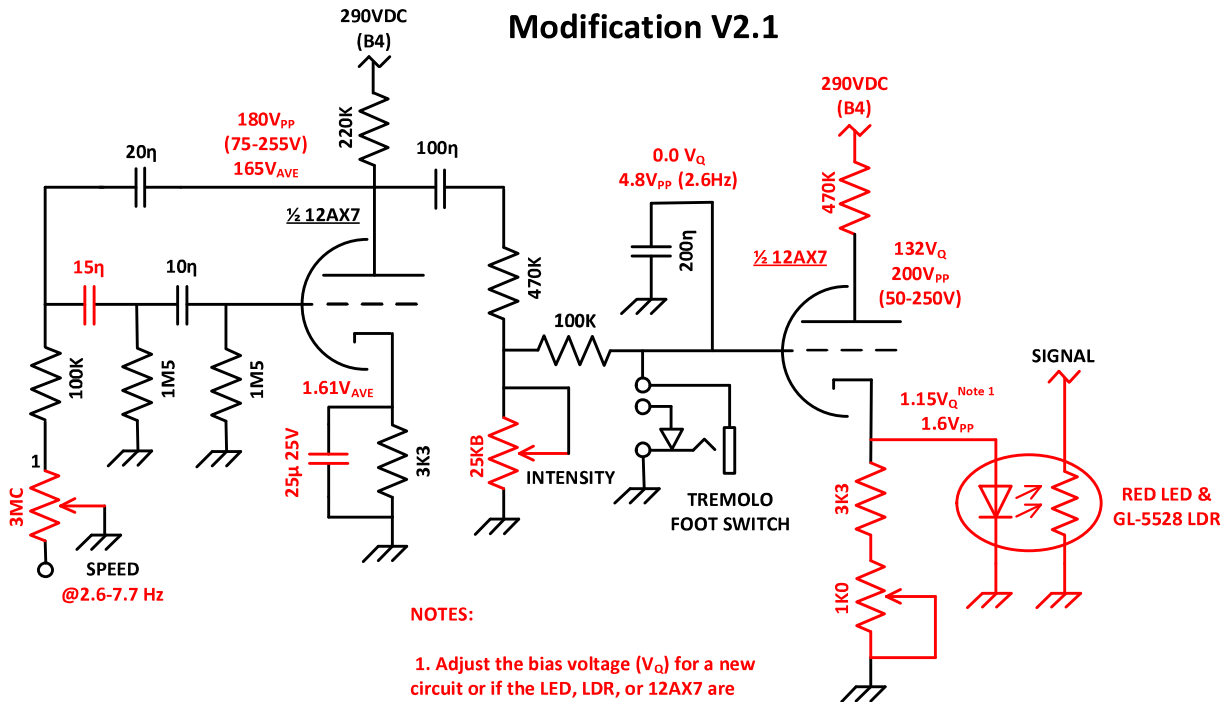


Univox U-1221 Tremolo Circuit Original



Univox U-1220/1221 Tremolo Circuit Modification V2.1



NOTES:

1. Adjust the bias voltage (V_Q) for a new circuit or if the LED, LDR, or 12AX7 are changed in an existing circuit, until the LDR reads 1M-1.5M resistance (out of circuit) with the tremolo off and record voltage for future adjustment. Return bias voltage (V_Q) to noted value during servicing if needed.