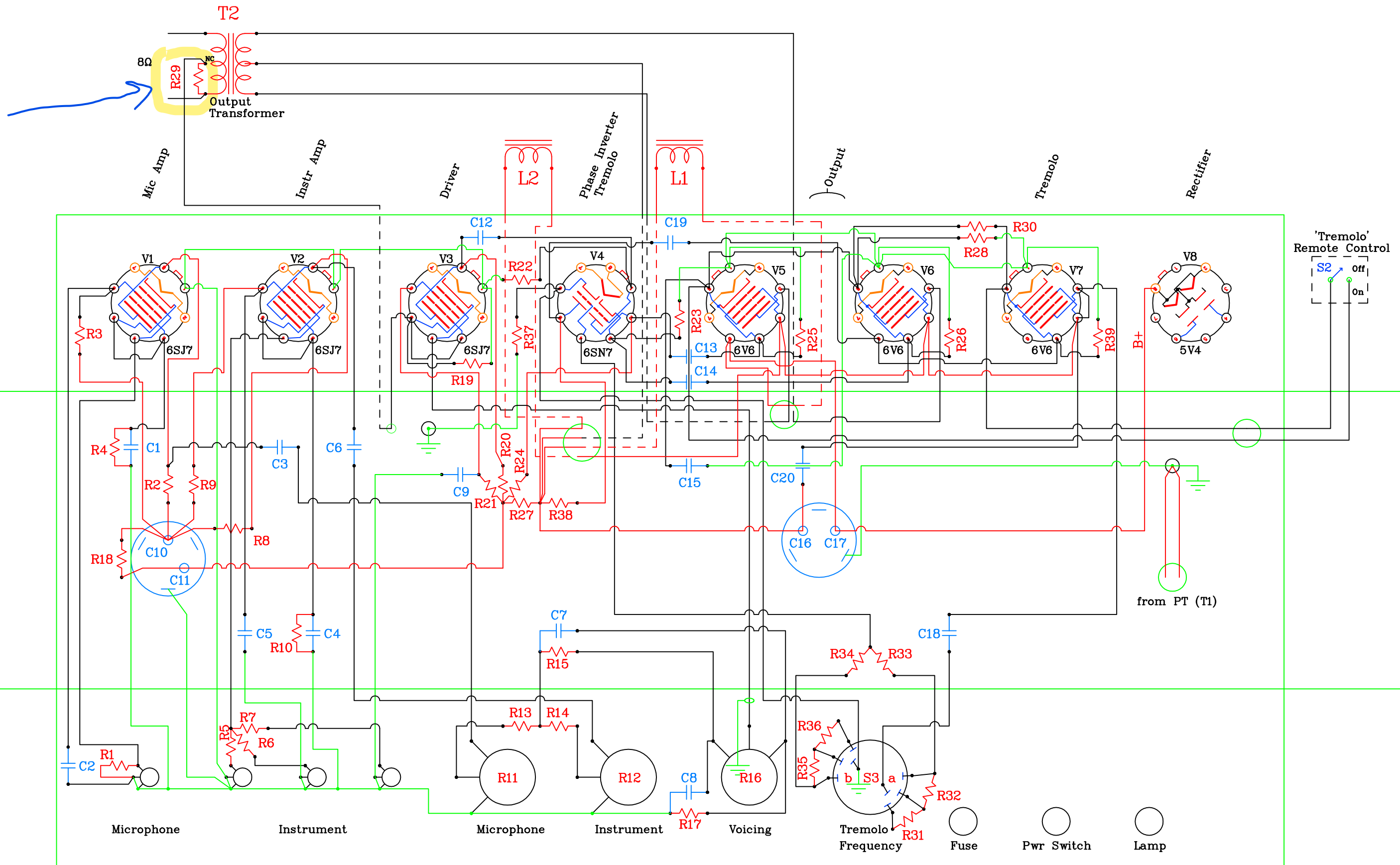
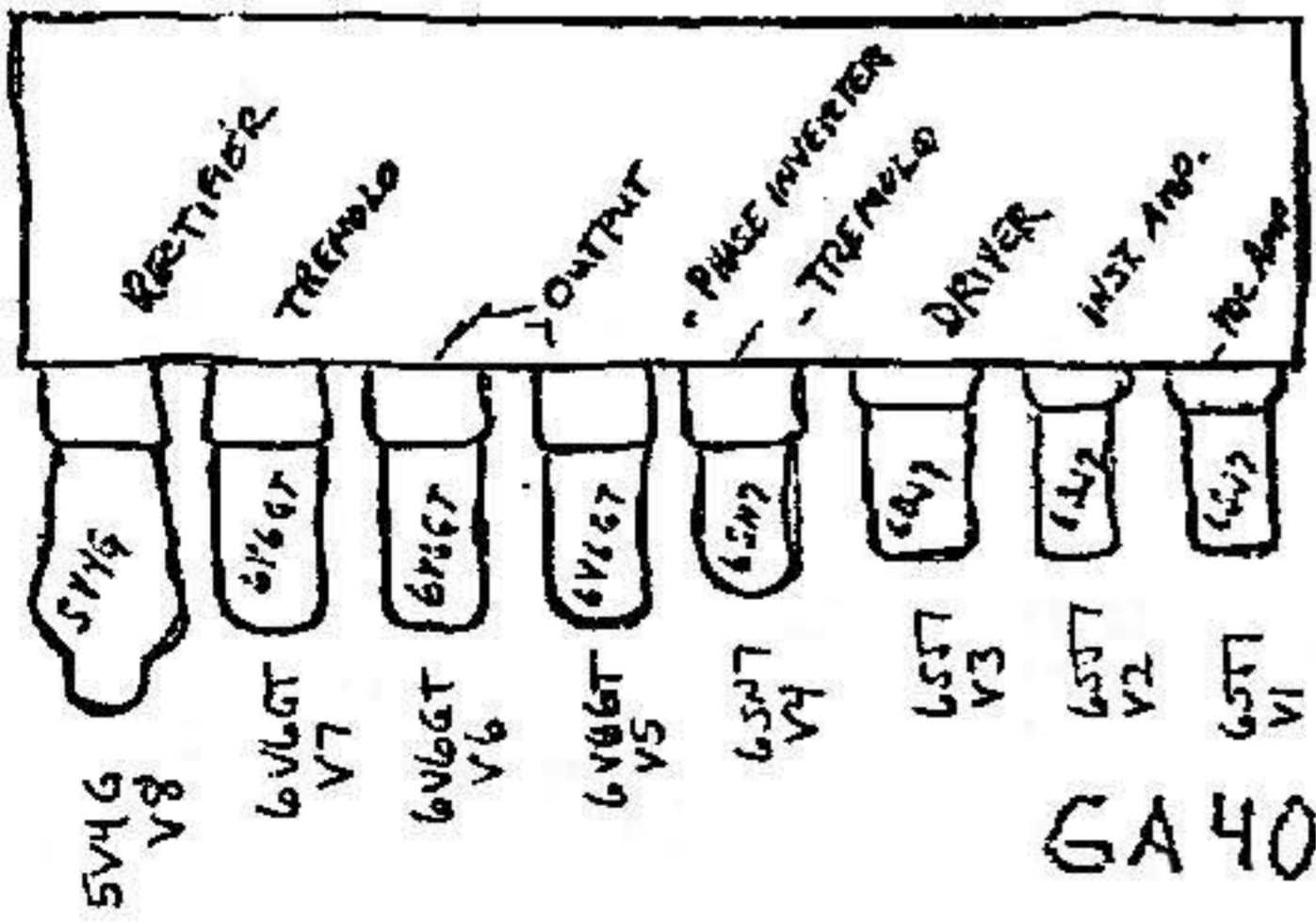
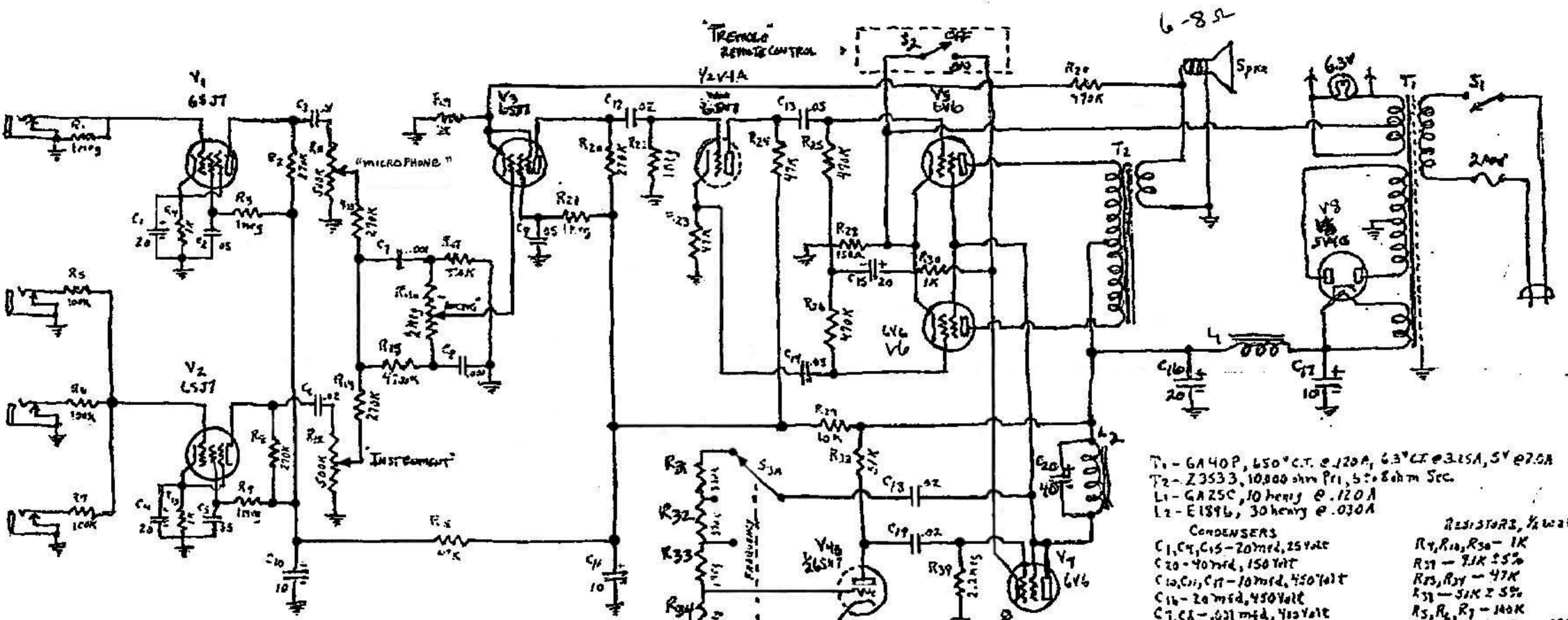


not this





T₁ - 6A40P, 6.3V CT @ 1.20A, 6.3V CT @ 3.15A, 5V @ 0.20A
 T₂ - Z353, 10,000 ohm Pri, 5:1 Bahm Sec.
 L₁ - GA25C, 10 henry @ .120A
 L₂ - E1896, 30 henry @ .030A

CONDENSERS
 C₁, C₄, C₅ - 20mf, 25 volt
 C₂₀ - 40mf, 150 volt
 C₁₀, C₁₁, C₁₇ - 10mf, 450 volt
 C₁₆ - 20mf, 450 volt
 C₇, C₈ - .021mf, 400 volt
 C₃ - .01mf, 400 volt
 C₆, C₁₂, C₁₈, C₁₉ - .02mf, 400 volt
 C₂, C₉, C₁₃, C₁₄, C₁₅, C₁₈ - .05mf, 400 volt

RESISTORS
 R₂₀ - 150 ohm 10 watt wirewound
 R₁₅ - 1K, 1 watt
 R₂₁ - 10K, 1 watt
 R₁₂ - 47K, 1 watt

RESISTORS, 1/2 watt
 R₄, R₁₀, R₃₀ - 1K
 R₃₁ - 71K 5%
 R₂₃, R₃₄ - 47K
 R₃₃ - 51K 2.5%
 R₅, R₆, R₇ - 100K
 R₁, R₂, R₃, R₁₁, R₁₃, R₃₀ - 250K
 R₂₁, R₂₂, R₃₅, R₃₆ - 330K
 R₁₆, R₁₇, R₂₅, R₂₆, R₂₇ - 470K
 R₁, R₃, R₉, R₃₁, R₃₂, R₃₅, R₃₉ - 1MΩ
 R₃₇ - 2.2MΩ
VARIABLE
 R₁₁, R₁₂ - 500K, AUDIO TAPER
 R₁₆ - 2MEG, LINEAR TAPER