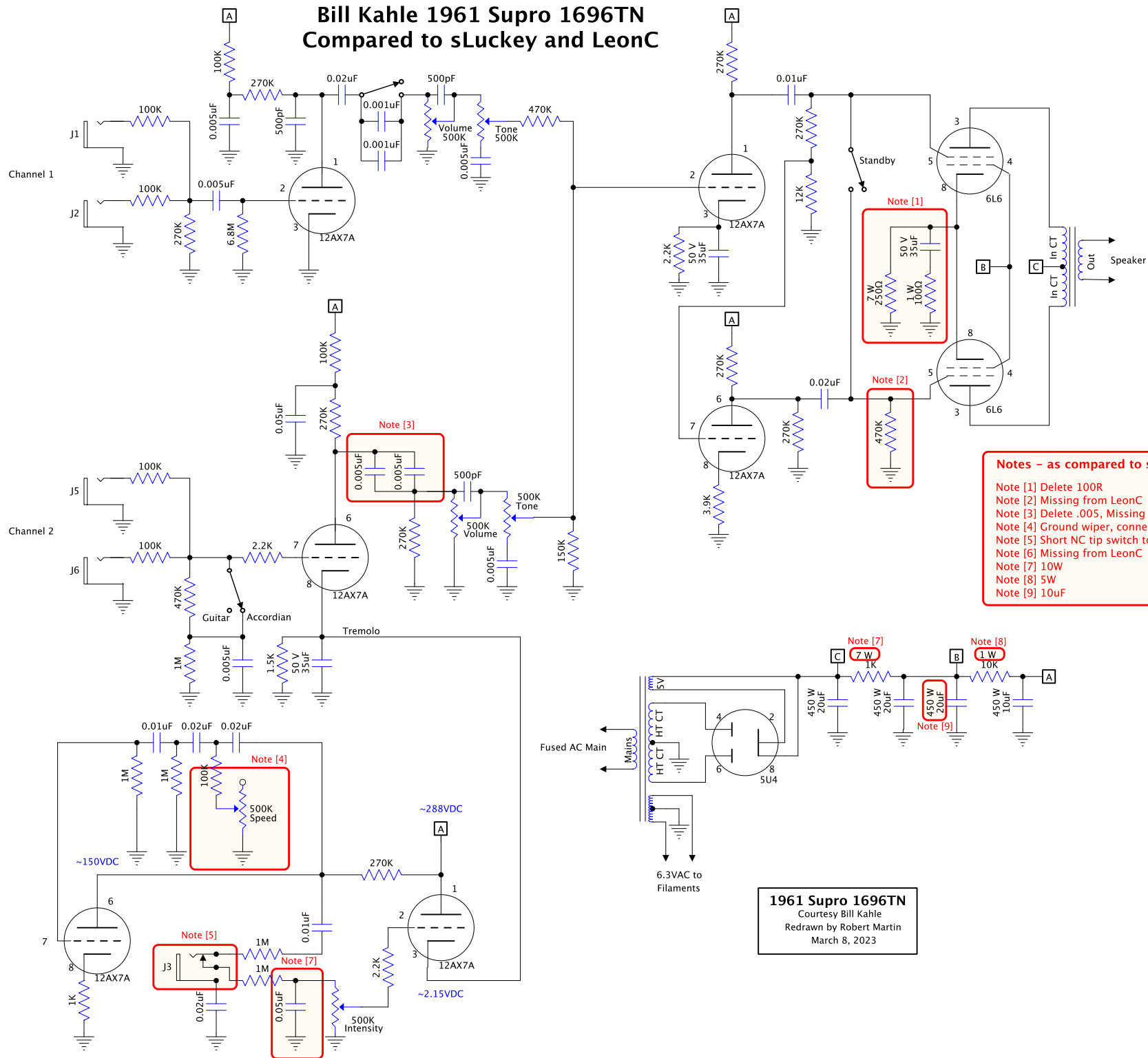


Bill Kahle 1961 Supro 1696TN Compared to sLucky and LeonC



- Notes - as compared to sLucky and LeonC**
- Note [1] Delete 100R
 - Note [2] Missing from LeonC
 - Note [3] Delete .005, Missing .005 from Bill K
 - Note [4] Ground wiper, connect 100K to top of 500K
 - Note [5] Short NC tip switch to sleeve
 - Note [6] Missing from LeonC
 - Note [7] 10W
 - Note [8] 5W
 - Note [9] 10uF

1961 Supro 1696TN
Courtesy Bill Kahle
Redrawn by Robert Martin
March 8, 2023