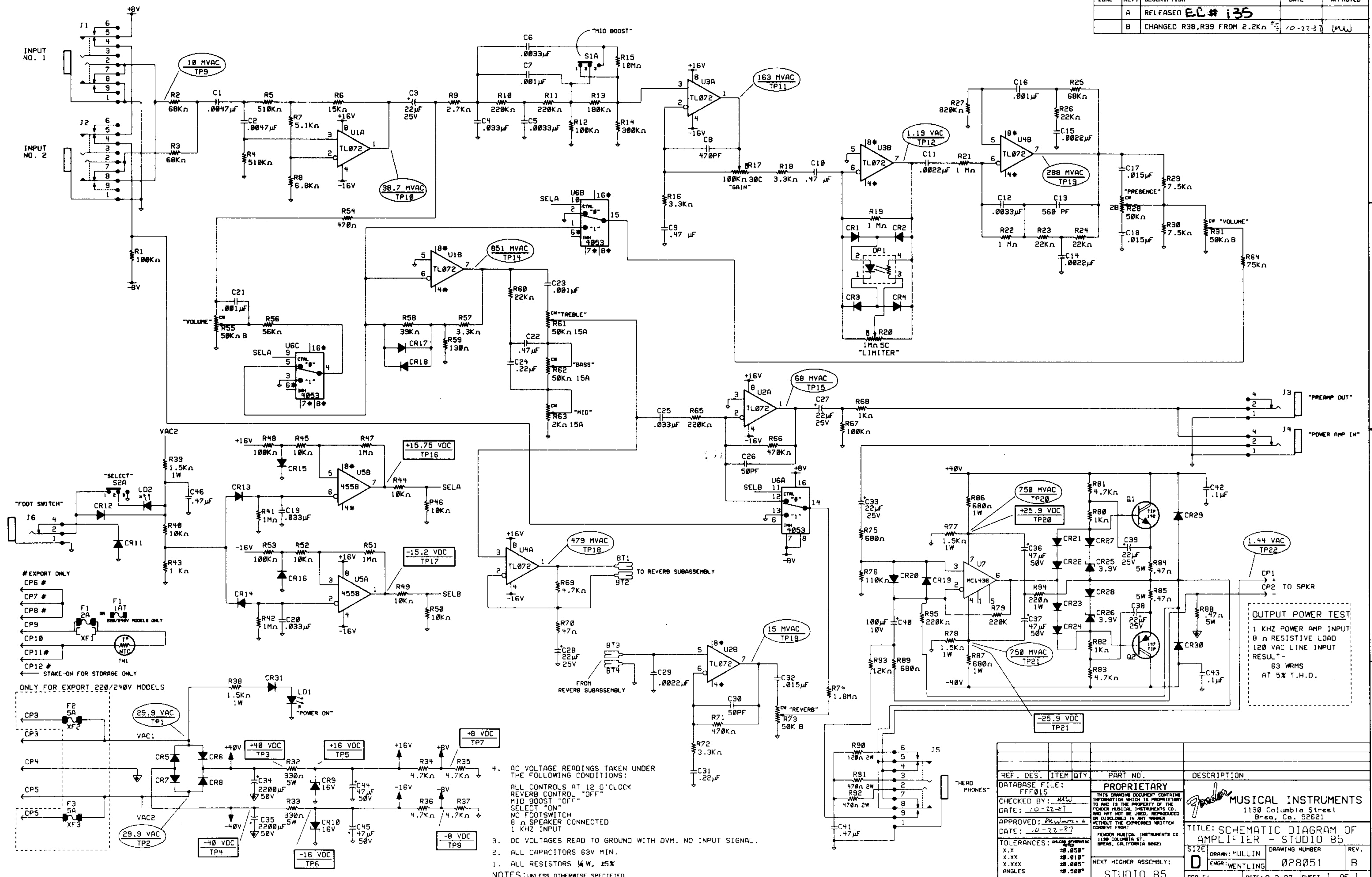


REVISIONS				
ZONE	REV.	DESCRIPTION	DATE	APPROVED
	A	RELEASED EC# 135		
	B	CHANGED R38, R39 FROM 2.2K Ω	10-22-87	MW



4. AC VOLTAGE READINGS TAKEN UNDER THE FOLLOWING CONDITIONS:
 ALL CONTROLS AT 12 O'CLOCK
 REVERB CONTROL "OFF"
 MID BOOST "OFF"
 SELECT "ON"
 NO FOOTSWITCH
 8 Ω SPEAKER CONNECTED
 1 KHZ INPUT

3. DC VOLTAGES READ TO GROUND WITH OVM. NO INPUT SIGNAL.

2. ALL CAPACITORS 63V MIN.

1. ALL RESISTORS 1/4W, $\pm 5\%$

NOTES: UNLESS OTHERWISE SPECIFIED

OUTPUT POWER TEST
 1 KHZ POWER AMP INPUT
 8 Ω RESISTIVE LOAD
 120 VAC LINE INPUT
 RESULT -
 63 WRMS
 AT 5% T.H.D.

REF. DES.	ITEM QTY	PART NO.	DESCRIPTION
DATABASE FILE:	FFF015	PROPRIETARY	
CHECKED BY:	MW	Fender MUSICAL INSTRUMENTS 1130 Columbia Street Brea, Ca. 92621	
DATE:	10-22-87	TITLE: SCHEMATIC DIAGRAM OF AMPLIFIER - STUDIO 85	
APPROVED:	MW	SIZE:	D
DATE:	10-22-87	DRAWN:	MULLIN
TOLERANCES:	UNLESS OTHERWISE SPECIFIED	DRAWING NUMBER:	028051
X.X	$\pm .050$	REV.:	B
X.XX	$\pm .010$	ENGR.:	WENTLING
X.XXX	$\pm .005$	NEXT HIGHER ASSEMBLY:	STUDIO 85
ANGLES	$\pm .500$	SCALE:	DATE: 9-2-87 SHEET 1 OF 1

0028521000