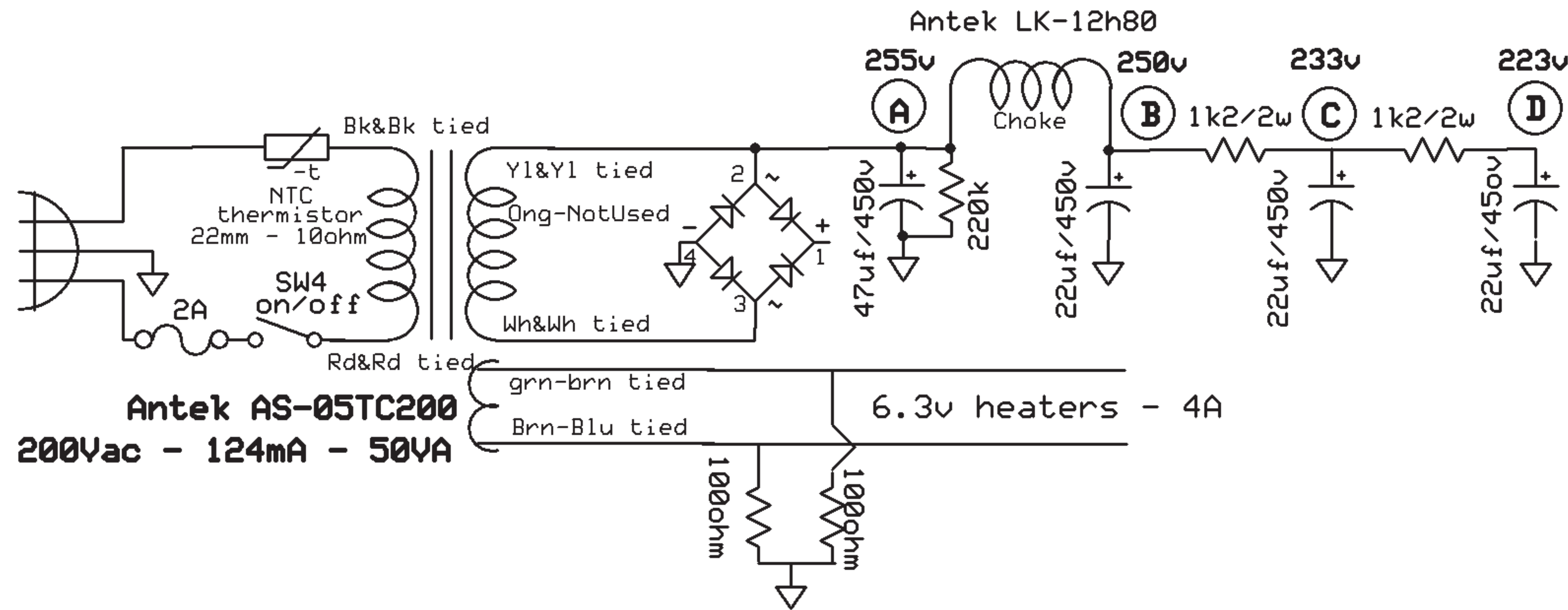


ECL84 Triode V2a - V3a

V2b-V5b - ECL84 Pentode

OT-Antek MP-10W80
 8kohm Primary
 4ohm & 8ohm Secondary
 10 Watt (will handle 20% overload)
 Has Screen Taps for UL-not used

- Notes:
1. Use either SW2 or SW3 for tone control on Vox Chn. If SW2 is used, replace SW3 with wire. If SW3 used, omit SW2 and assoc. caps.
 2. 10 ohm thermistor used to decrease inrush current at startup to protect power transformer.



Sluckey Wannabes, Inc.		
Dual Lite 5879 ECL84		
Boodle	Rev 1.0	Page 1 of 1
	4/28/2023	