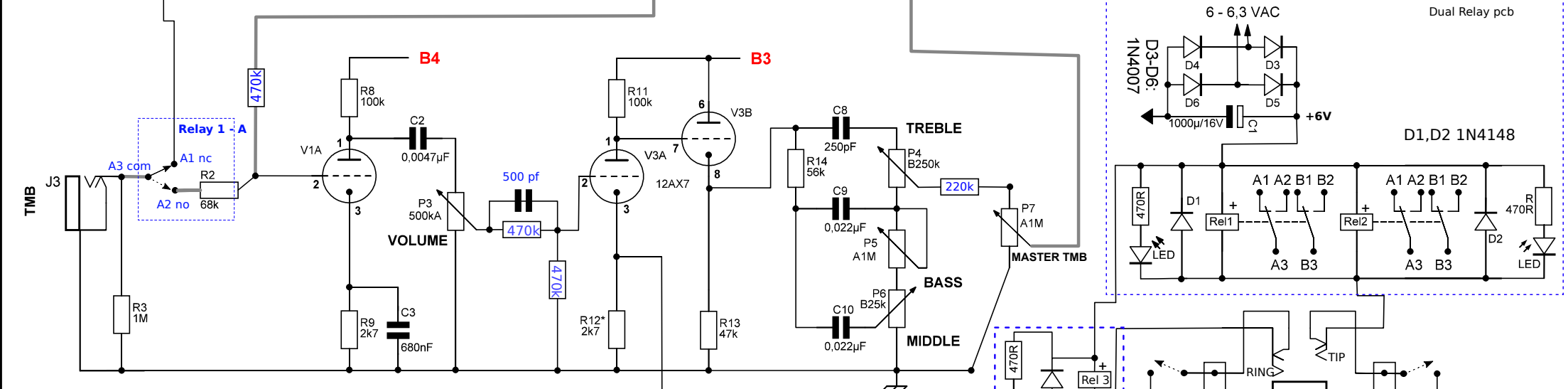
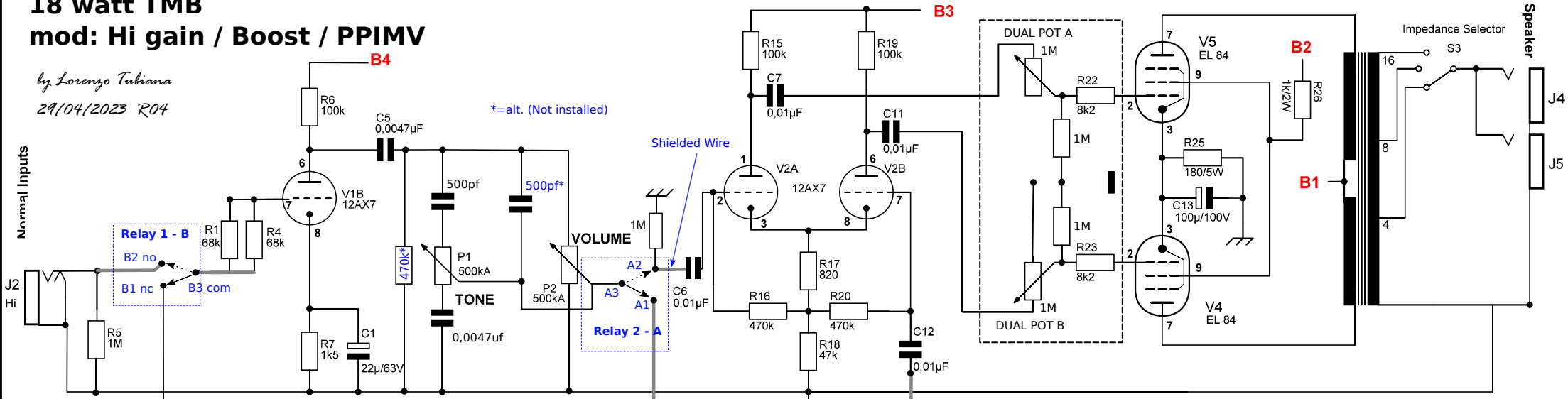


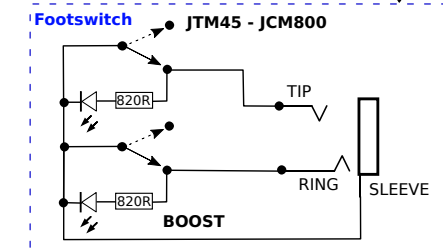
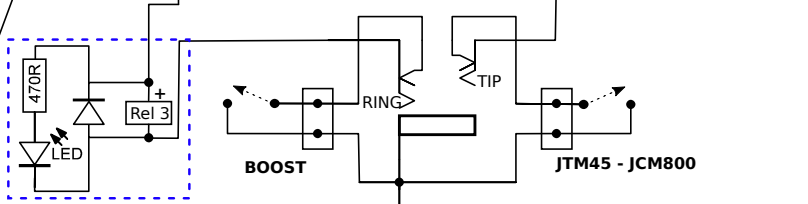
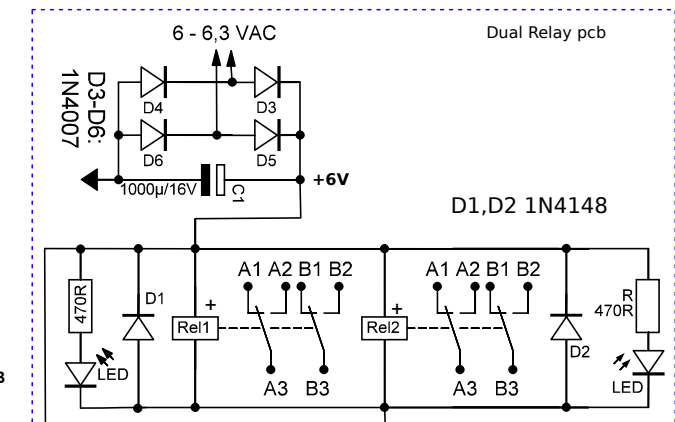
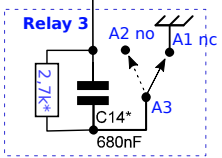
18 watt TMB

mod: Hi gain / Boost / PPIMV

by Lorenzo Tubiana
29/04/2023 R04



- Notes:
- all capacitors minimum rating of 400 V unless otherwise noted
 - all resistors minimum rating of 0,5 W unless otherwise noted
 - all voltages +- 10%



JTM45 - JCM800 switch
sw closed = RY1 e RY2 engaged
Channel TMB HI-GAIN (jtm45)
Channel NORM

sw open = RY1 e RY2 inactive
Channel TMB HI-GAIN (jcm800)
Channel NORM off

Boost Switch
sw closed = RY3 Engaged
CAP BY PASS OFF (TMB MORE GAIN OFF)

sw open = RY3 inactive
CAP BYPASS ON (TMB MORE GAIN ON)