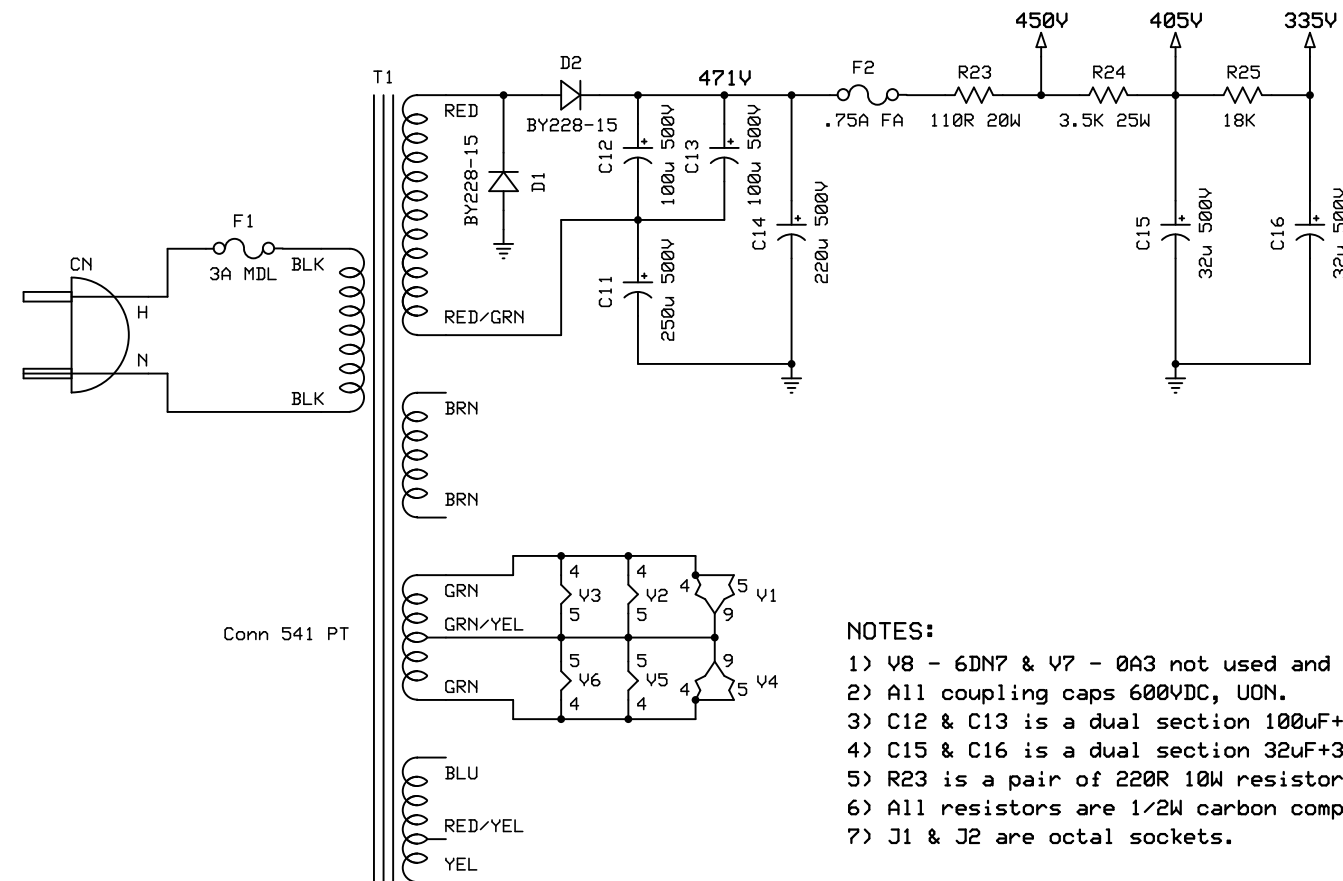


Tube Locator - Chassis Top View

Voltage Chart

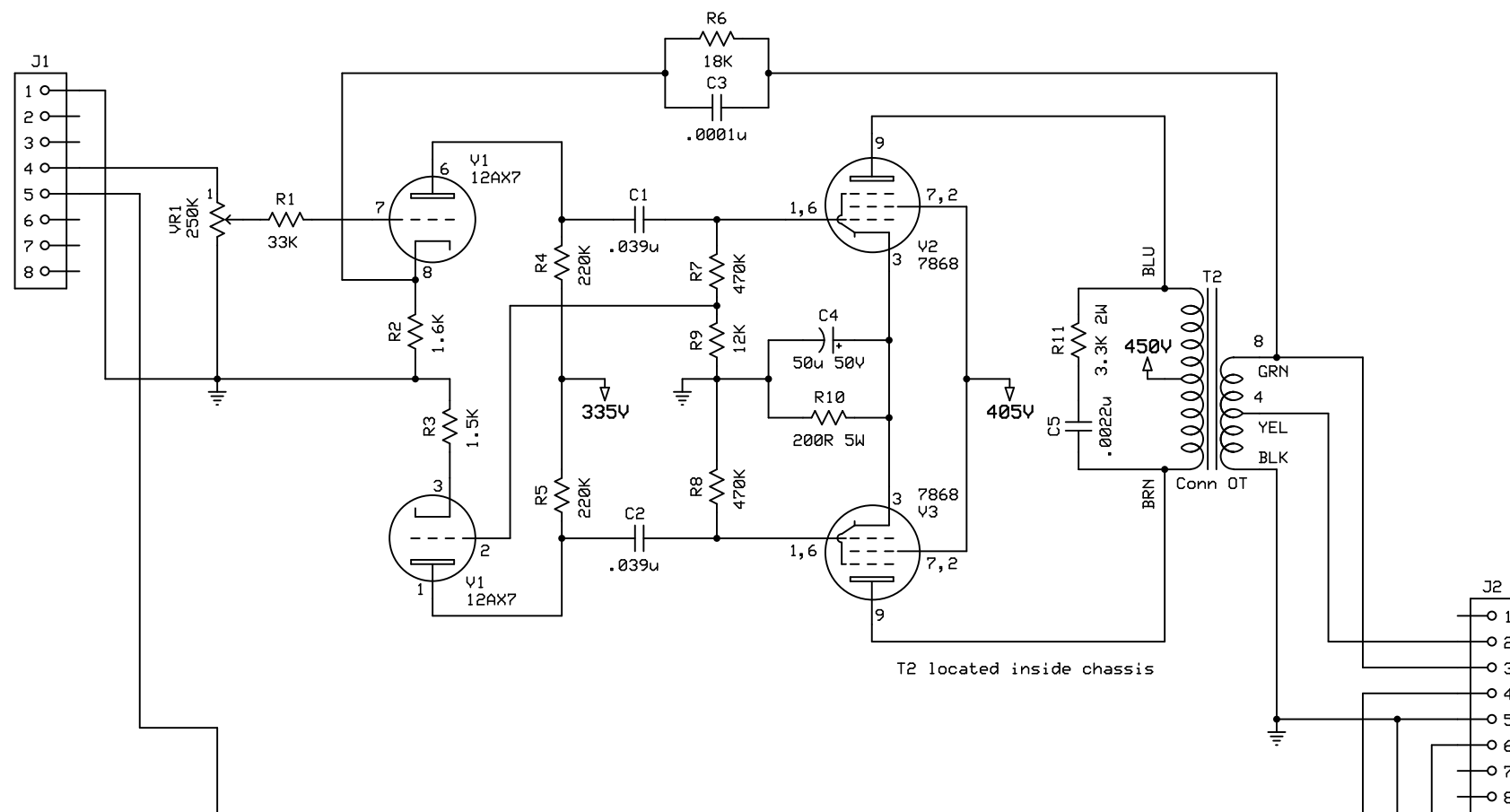
Pin	V1	V2	V3	V4	V5	V6
1	148	g1	g1	155	g1	g1
2	g1	404	404	g1	404	404
3	1.25	19.3	19.3	1.23	19.2	19.2
4	fil	fil	fil	fil	fil	fil
5	fil	fil	fil	fil	fil	fil
6	148	g1	g1	151	g1	g1
7	g1	404	404	g1	404	404
8	1.19	i/c	i/c	1.20	i/c	i/c
9	fil	446	445	fil	446	445

i/c = Internal connection in tube - Do not use!

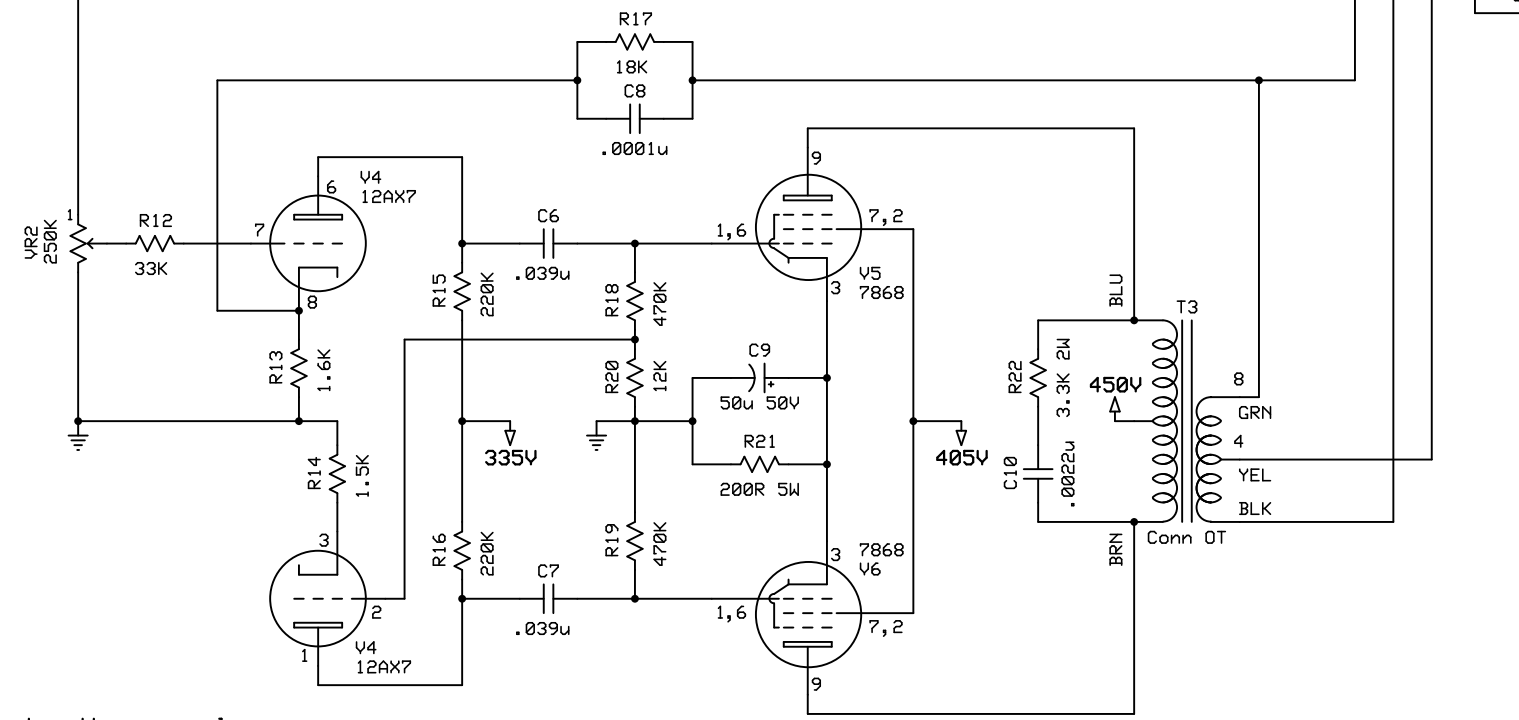


NOTES:

- 1) V8 - 6DN7 & V7 - 0A3 not used and related circuits removed.
- 2) All coupling caps 600VDC, UON.
- 3) C12 & C13 is a dual section 100uF+100uF 500V 1.375" electrolytic.
- 4) C15 & C16 is a dual section 32uF+32uF 500V 1.375" electrolytic.
- 5) R23 is a pair of 220R 10W resistors in parallel.
- 6) All resistors are 1/2W carbon comp. or carbon film, UON.
- 7) J1 & J2 are octal sockets.



T2 located inside chassis



T3 located top of chassis

S.T.A.C.		
Conn 541 2 Channel Power Amp		
Conn / Mitcheltree	Rev 1.0 5/10/2023	Page 1 Size B