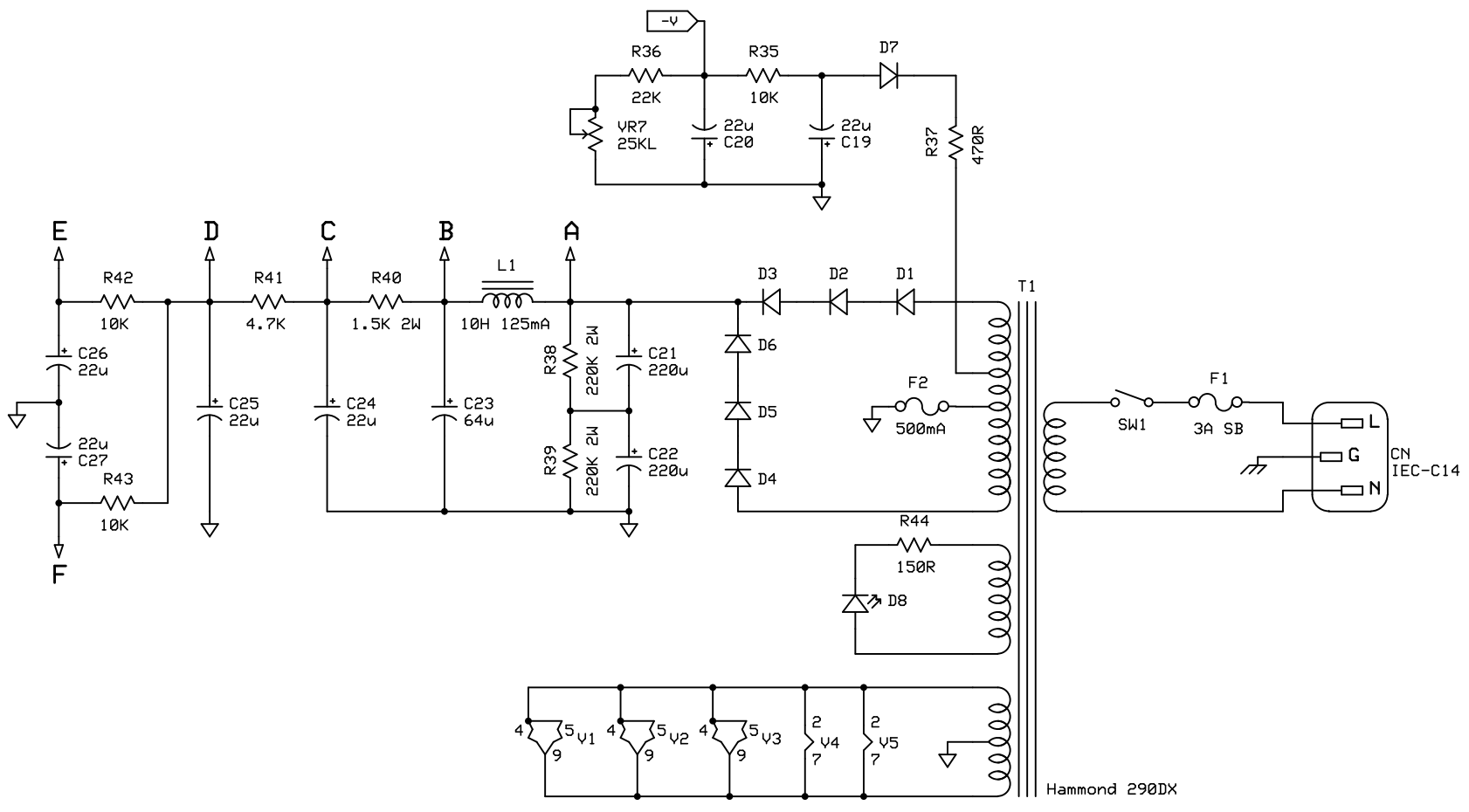


Tube Voltage Chart

	V1	V2	V3	V4	V5
1					
2	g1	g1	g1	fil	fil
3					
4	fil	fil	fil		
5	fil	fil	fil	g1	g1
6					
7	g1	g1	g1	fil	fil
8					
9	fil	fil	fil		



L1 - Hammond 159P, 10H @ 125mA, 155DCR.
 All resistors 1W carbon film, UON
 All coupling caps silver mica or Panasonic ECQ series 630WVDC, UON.
 Tune NFP (R34) to taste.
 PT & OT are Super Reverb type - Hammond P/Ns indicated.
 SW2 is a C&K 7211 (on-on-on) and must be wired as shown for proper operation.

S.T.A.C.

Black & Tan - LTPI

P. Mitcheltree	Rev 1.0 8/17/2023	Page 1 of 1 Size: B
----------------	----------------------	------------------------