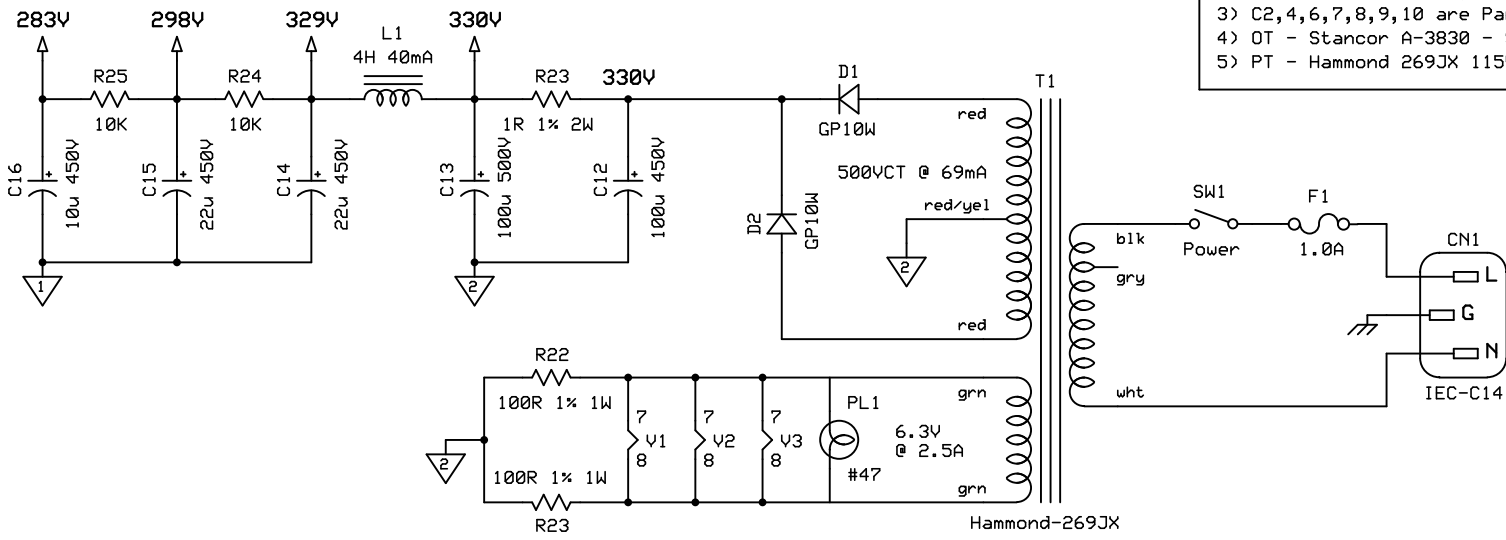


- Notes:**
- 1) All resistors are 1W CF, unless otherwise noted.
 - 2) L1 is Hammond 194A, 4H, 50mA, 167 ohm DCR.
 - 3) C2,4,6,7,8,9,10 are Panasonic ECQ series film.
 - 4) OT - Stancor A-3830 - Strapped 10K:8.
 - 5) PT - Hammond 269JX 115V Gry primary not used - Tape off and secure.



Tube Volt Chart

Pin	V1	V2	V3
1	g1	g1	g1
2	213	247	327
3	2.28	128	16.52
4	g1	g1	g1
5	212	244	327
6	2.36	128	16.52
7	fil	fil	fil
8	fil	fil	fil

S.T.A.C.
Octal All Triode

Draft P. Mitcheltree	Rev 1.0	Page 1 Size Lgl
	9/18/2023	