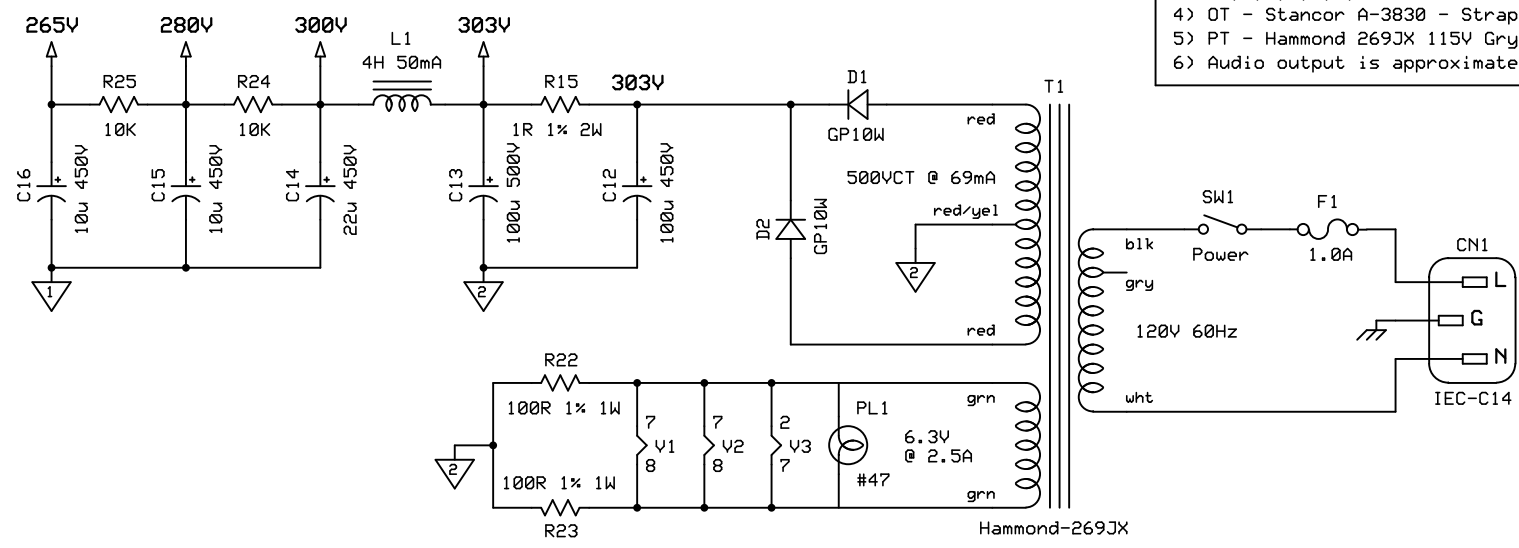


Tube Volt Chart

| Pin | V1 | V2 | V3 |
|-----|------|------|-------|
| 1 | g1 | g1 | g1 |
| 2 | 200 | 255 | fil |
| 3 | 2.13 | 60.1 | 297 |
| 4 | g1 | g1 | 291 |
| 5 | 199 | 253 | g1 |
| 6 | 2.20 | 60.1 | 297 |
| 7 | fil | fil | fil |
| 8 | fil | fil | 10.38 |

Vese of R15 - 68mV
Vese of R10 - 2.53V

Notes:
 1) All resistors are 1W CF, unless otherwise noted.
 2) L1 is Hammond 194A, 4H, 50mA, 167 ohm DCR.
 3) C2,4,6,7,8,9,10 are Panasonic ECQ series film.
 4) OT - Stancor A-3830 - Strapped 10K:8.
 5) PT - Hammond 269JX 115V Gry primary not used - Tape off and secure.
 6) Audio output is approximately 12W.



S.T.A.C.
Octal 6SL7/6DZ7

| | | |
|-------------------------|----------------------|-----------------|
| Draft P. Mitcheltree | Rev 1.0 9/18/2023 | Page 1 Size Lgl |
|-------------------------|----------------------|-----------------|