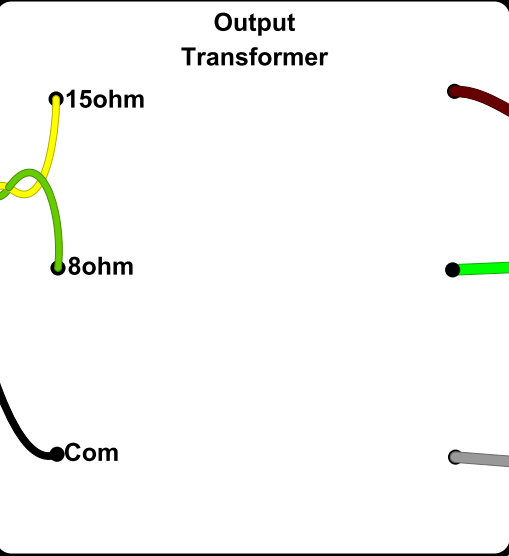
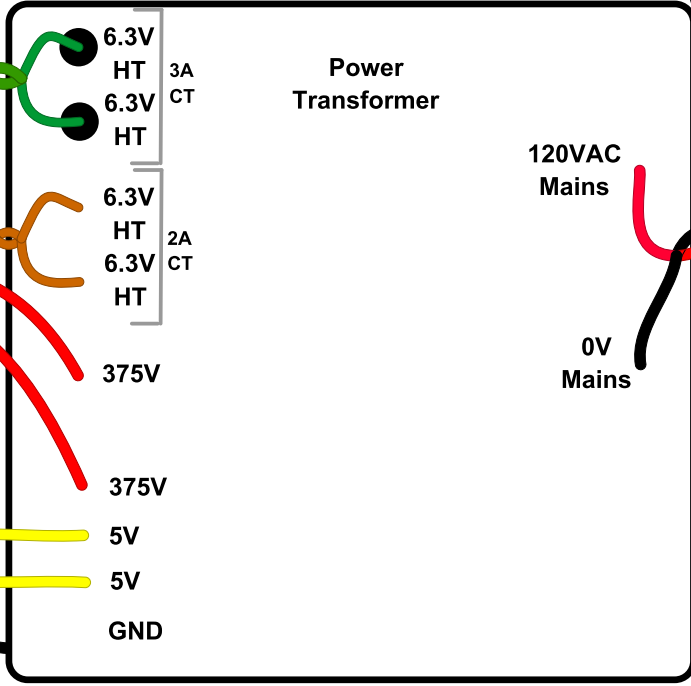


32uF Caps are mounted Power supply chassis top side.
 32uF Capacitors connect to a floating pass-thru type terminal.
 - end are both grounded to eyelet bolted to chassis to side.



Vox JMI AC50/2 Layout

Dated: Sept 27, 2023		1 of 2
Drawn By: J. Almeida		Rev: R1