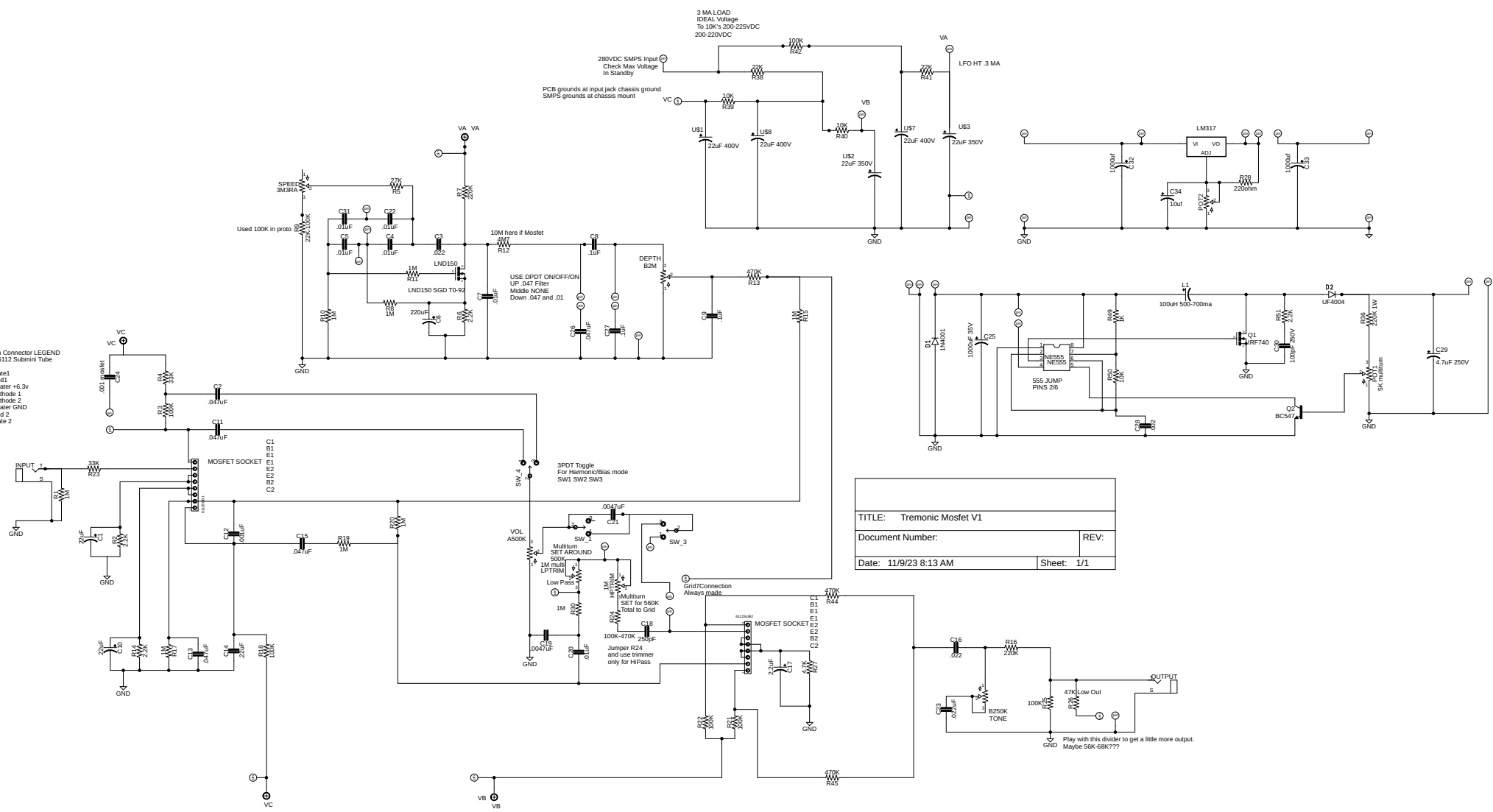


- 8 Pin Connector LEGEND
For 6115 Submini Tube
- 1 Plate1
 - 2 Grid1
 - 3 Heater +6.3v
 - 4 Cathode 1
 - 5 Cathode 2
 - 6 Heater GND
 - 7 Grid 2
 - 8 Plate 2



TITLE: Tremonic Mosfet V1	
Document Number:	REV:
Date: 11/9/23 8:13 AM	Sheet: 1/1

Play with this divider to get a little more output.
Maybe 56K-68K???