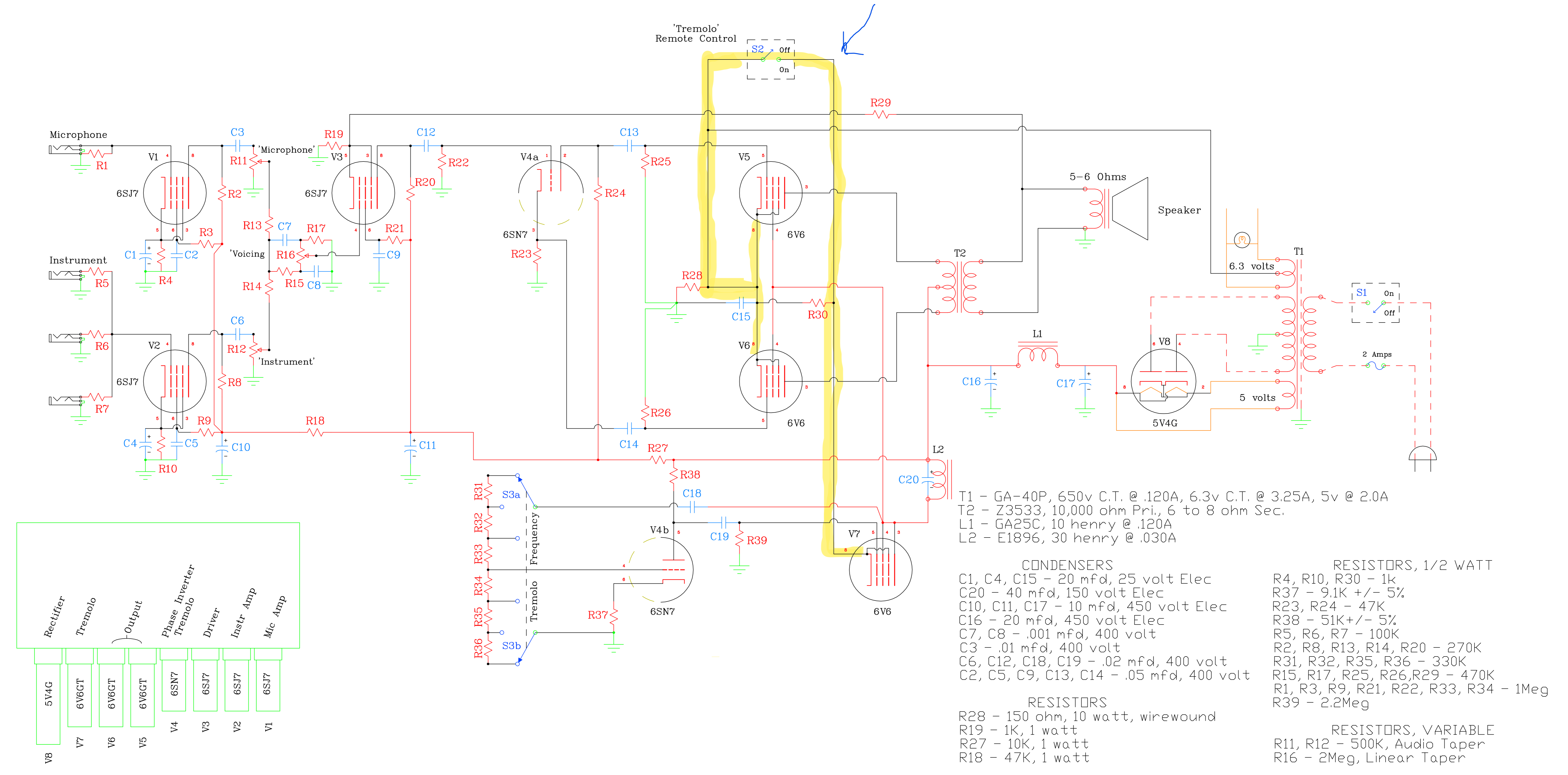
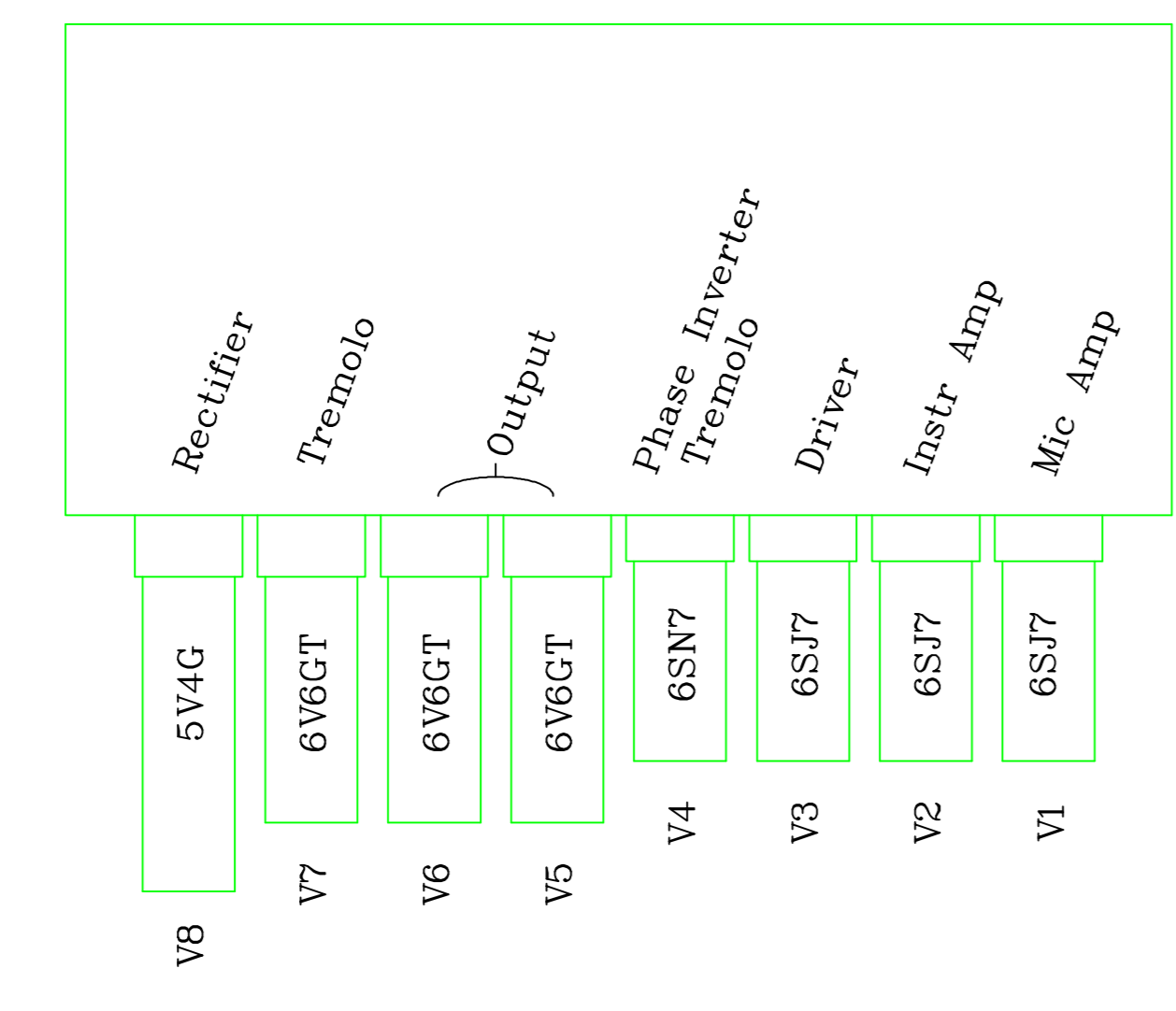


Is this the correct footswitch connection?????



- T1 - GA-40P, 650v C.T. @ .120A, 6.3v C.T. @ 3.25A, 5v @ 2.0A  
 T2 - Z3533, 10,000 ohm Pri., 6 to 8 ohm Sec.  
 L1 - GA25C, 10 henry @ .120A  
 L2 - E1896, 30 henry @ .030A
- CONDENSERS  
 C1, C4, C15 - 20 mfd, 25 volt Elec  
 C20 - 40 mfd, 150 volt Elec  
 C10, C11, C17 - 10 mfd, 450 volt Elec  
 C16 - 20 mfd, 450 volt Elec  
 C3, C8 - .01 mfd, 400 volt  
 C7, C8 - .001 mfd, 400 volt  
 C6, C12, C18, C19 - .02 mfd, 400 volt  
 C2, C5, C9, C13, C14 - .05 mfd, 400 volt
- RESISTORS  
 R28 - 150 ohm, 10 watt, wirewound  
 R19 - 1K, 1 watt  
 R27 - 10K, 1 watt  
 R18 - 47K, 1 watt
- RESISTORS, 1/2 WATT  
 R4, R10, R30 - 1k  
 R37 - 9.1K +/- 5%  
 R23, R24 - 47K  
 R38 - 51K +/- 5%  
 R5, R6, R7 - 100K  
 R2, R8, R13, R14, R20 - 270K  
 R31, R32, R35, R36 - 330K  
 R15, R17, R25, R26, R29 - 470K  
 R1, R3, R9, R21, R22, R33, R34 - 1Meg  
 R39 - 2.2Meg
- RESISTORS, VARIABLE  
 R11, R12 - 500K, Audio Taper  
 R16 - 2Meg, Linear Taper



GA-40 1952 - '54

Jack Hester									*
	D	200ct11	AJH					Corr. R27 value/wiring	*
	C	190ct11	AJH					Big Comp ID's	*
	B	180ct11	AJH					Corrected Temolo	
	A	150ct11	AJH					Initial Drawing	
	REV	DATE	DRWN BY	CHKD BY	APPD BY	DESCRIPTION	PROJECT NUMBER	VENDOR/CLIENT DWG. NO.	REV.
							001	GA-40 - Early	D

