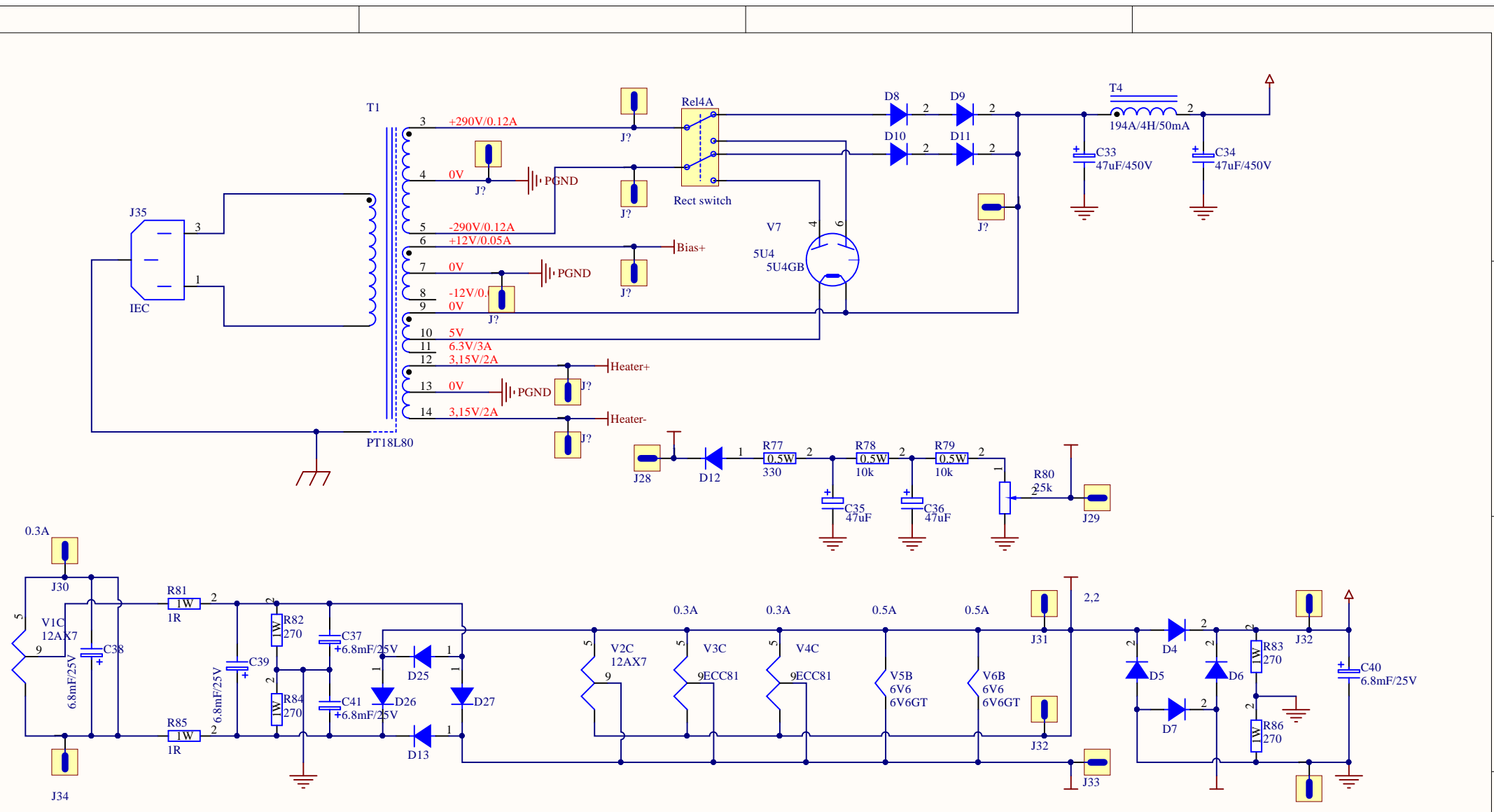
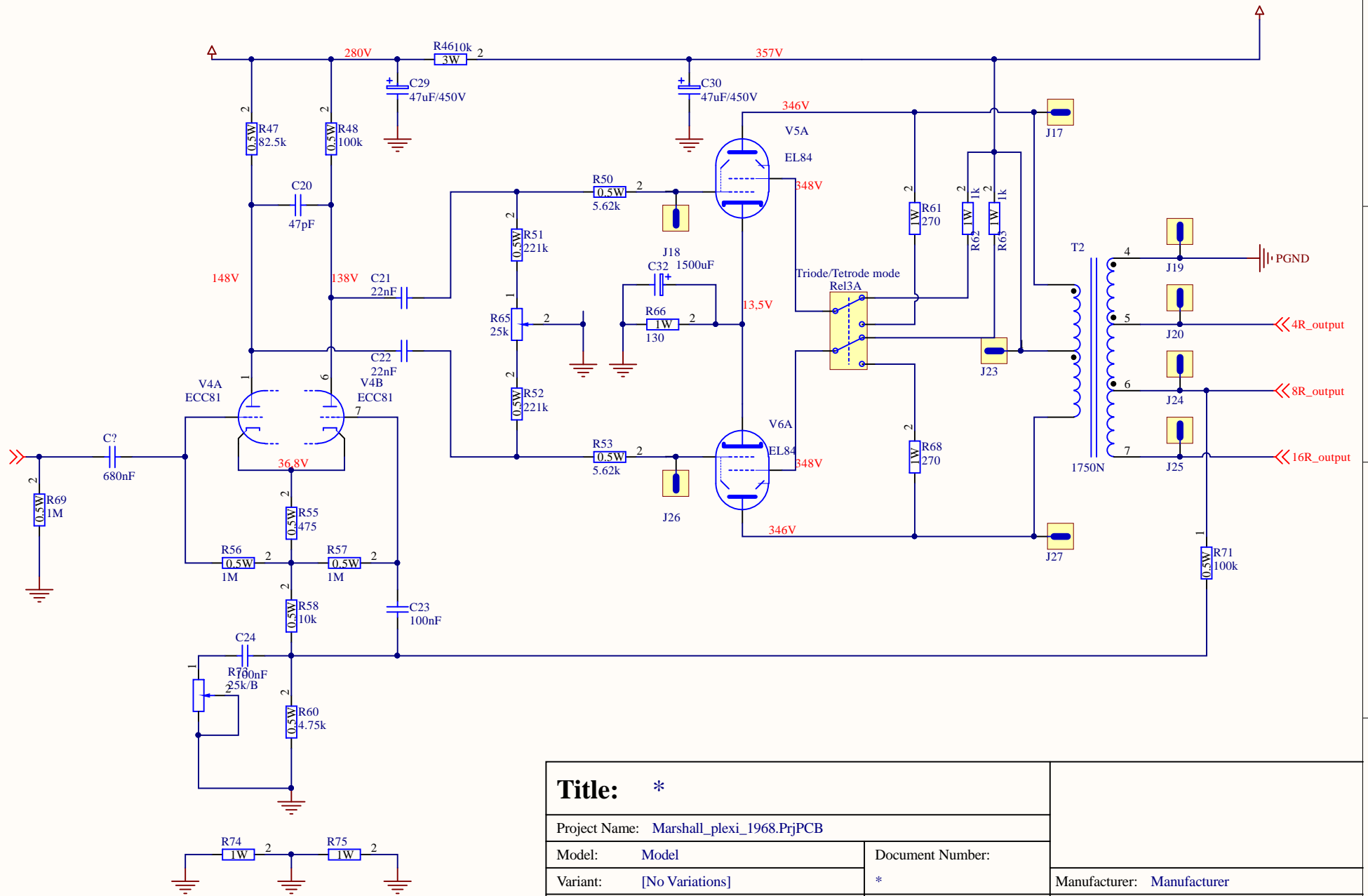


Title Project Name		
Date: 26.12.2023	Number: 01incl16	Revision: 0.0.1
Author Marcin Dudek		Sheet 1 of 1

SUMMER AGENCY



Title: *		J34	
Project Name: Marshall_plexi_1968.PrcPCB			
Model: Model	Document Number:		Manufacturer: Manufacturer
Variant: [No Variations]	*		
Drawn By: *	Revision: Rev	Project Design: Prądexpol	
Checked By: *	Sheet: * of *	Date: *	



Title: *		
Project Name: Marshall_plexi_1968.PrcPCB		
Model: Model	Document Number:	
Variant: [No Variations]	*	
Drawn By: *	Revision: Rev	Manufacturer: Manufacturer
Checked By: *	Sheet: * of *	Project Design: Prądexpol
		Date: *