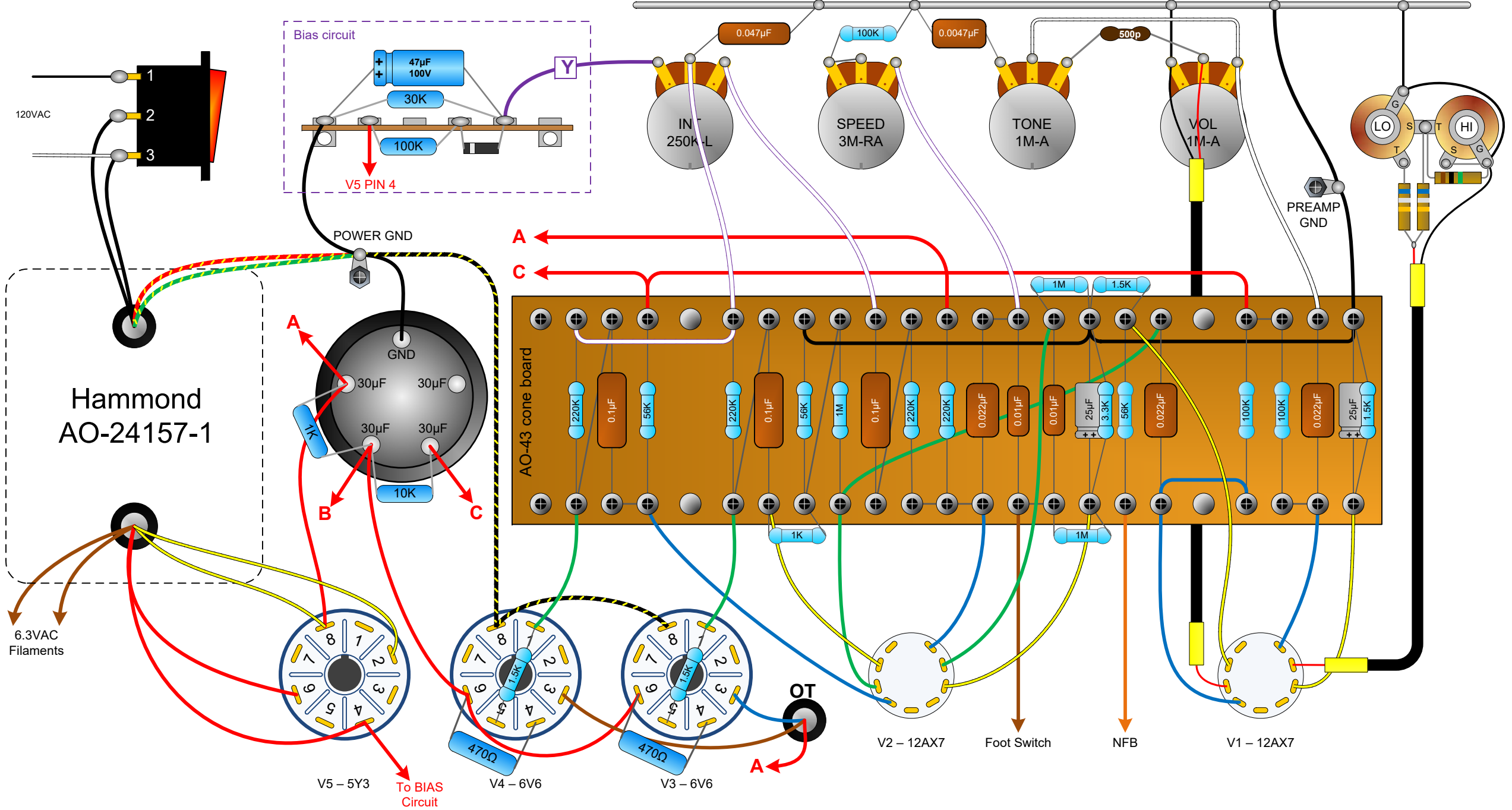
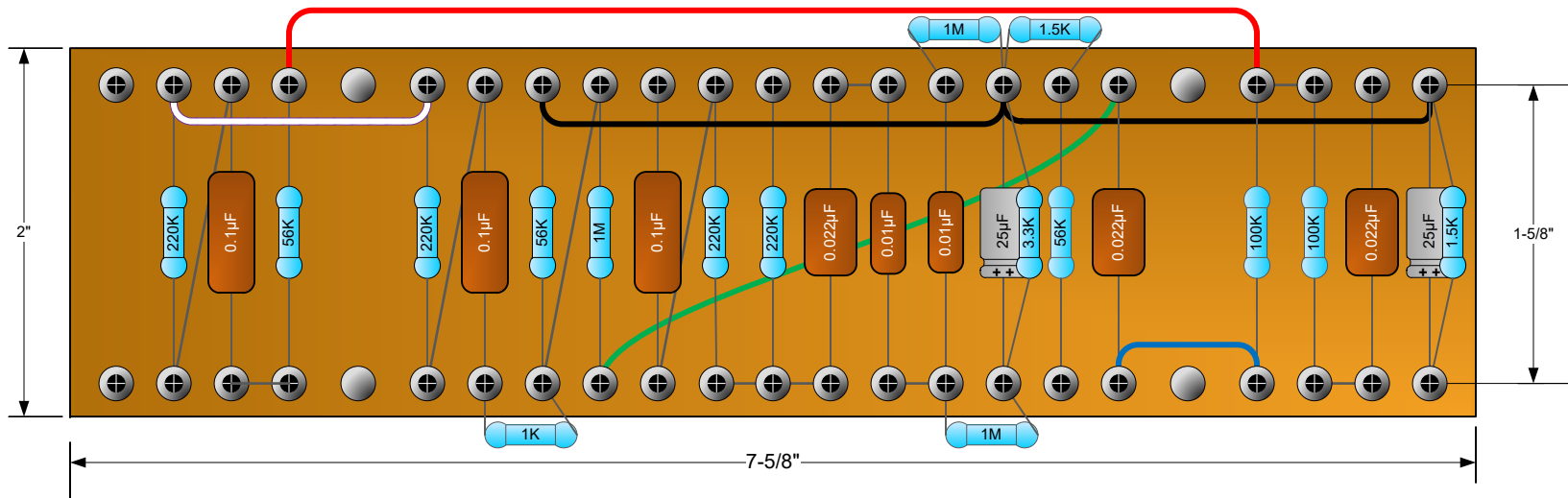


Princeton 6G2

Using Hammond AO-43 board
Steve Luckey... December, 2023



Fender 6G2 Princeton circuit on Hammond AO-43 board



The stock Hammond A0-43 board is 2" x 7-5/8" with eyelets 5/16" on center.

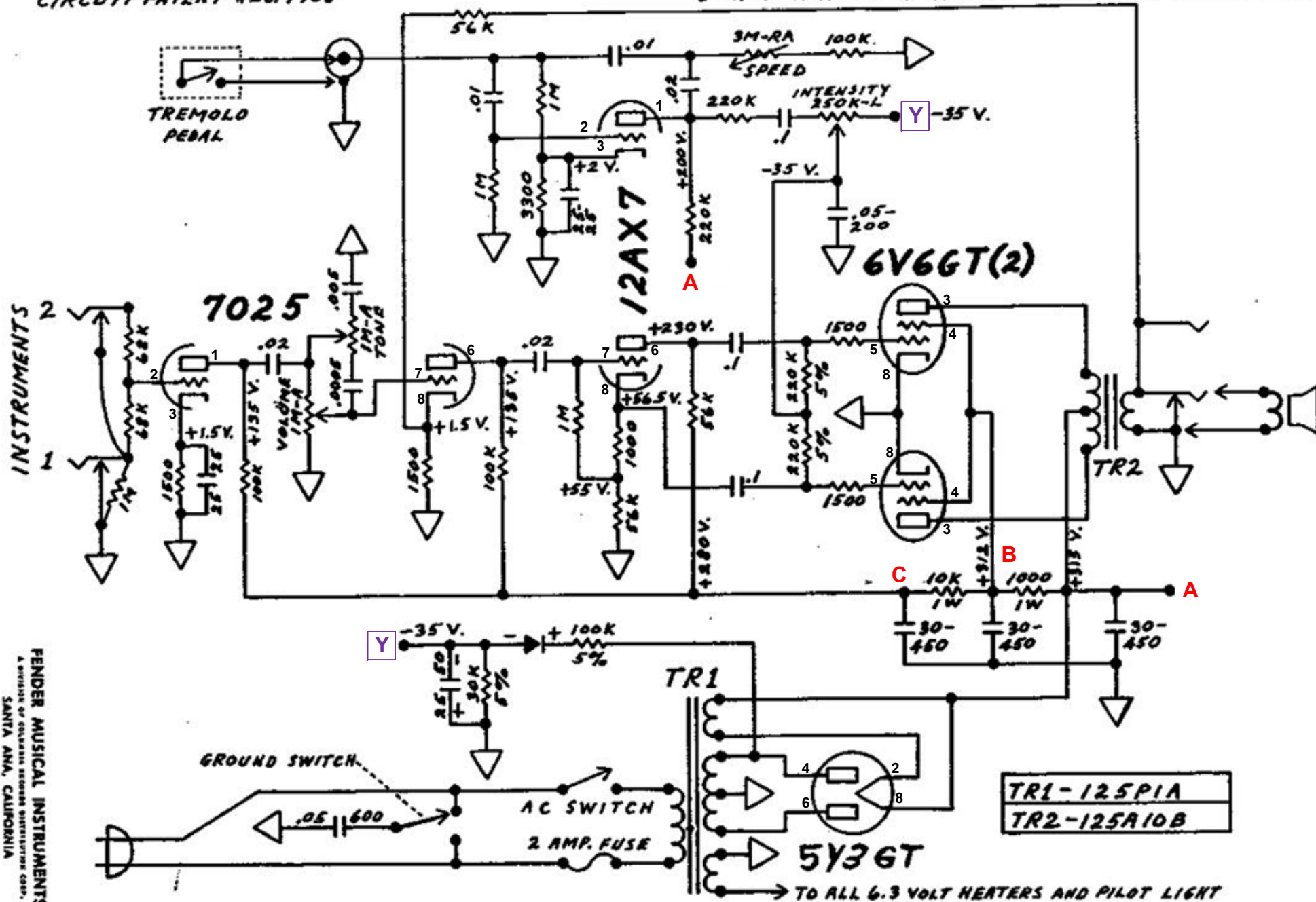
FENDER "PRINCETON" SCHEMATIC

MODEL 6G2 H-FA

CIRCUIT PATENT #2817708

NOTICE

- 1- VOLTAGES READ TO GROUND WITH ELECTRONIC VOLTMETER. VALUES SHOWN + OR - 20%.
- 2- ALL RESISTORS 1/2 WATT IF NOT SPECIFIED.
- 3- ALL CAPACITORS AT LEAST 400 VOLTS IF NOT SPECIFIED.



FENDER MUSICAL INSTRUMENTS
A DIVISION OF GILBERTSON RECORD DISTRIBUTION CORP.
SANTA ANA, CALIFORNIA
U.S.A.

TR1-125PIA
TR2-125A10B

TO ALL 6.3 VOLT HEATERS AND PILOT LIGHT

Hammond AO-43

