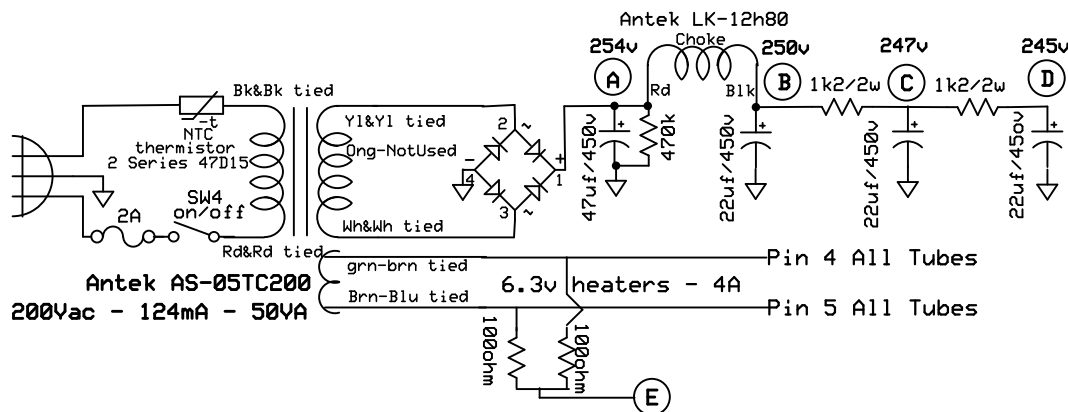


OT-Antek MP-10W80
 8kohm Primary
 4ohm & 8ohm Secondary
 10 Watt (will handle 20% overload)
 Has Screen Taps for UL-not used



Notes:

1. 2 series 47 ohm thermistors used to decrease inrush current at startup to protect power transformer.
2. Voltage measurement shown are with ECL82's installed.

215 ohm common cathode R

Yox 1-5879 2-ECL82

Boodle

Rev 0
 8/26/2023

Page 1 of 1