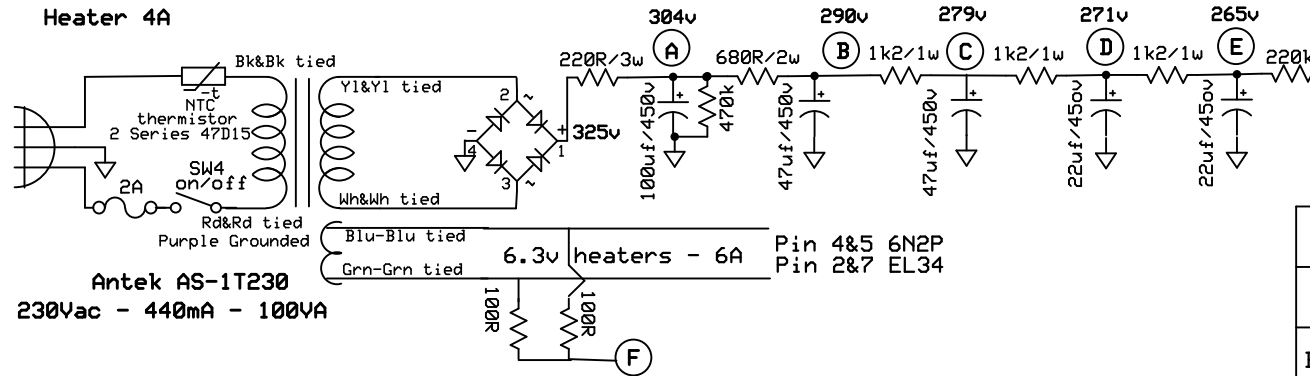


Current Needs:
 EL34 Plate+Screen = 87mA
 4X6N2P = 9.2mA
 Total = 96mA

EL34 Heater = 1.6A
 4X6N2P = 0.68A
 Total = 2.28A

Other PT Option:
 Antek AS-05T240
 240Vac - 100mA - 50VA
 Heater 4A



- Notes:
1. Work Citation on Sheet 2
 2. Gound Pin 9 on 6N2P

Full Gainer EL34 6N2P		
Boodle	Rev 0	Page 1 of 2
	1/1/2024	