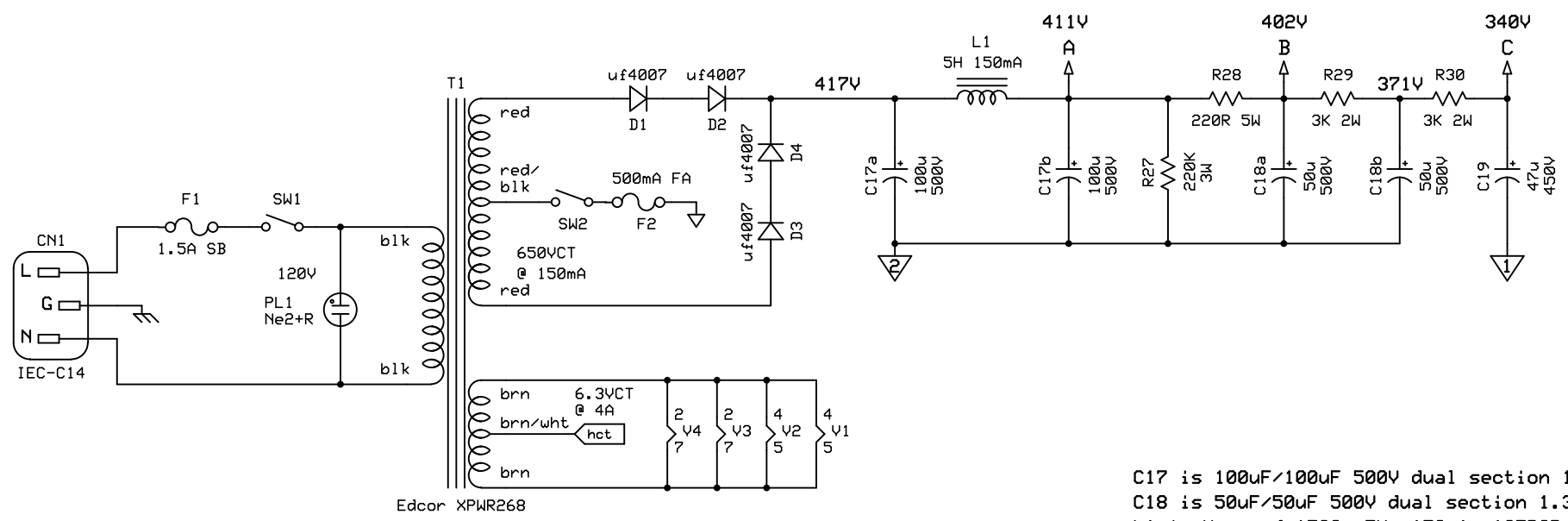


Tube Voltage Chart

	V1	V2	V3	V4	V5
1	205	159	190	28.5	28.5
2	g1	g1	g1	fil	fil
3	1.49	1.10	1.24	403	403
4	fil	fil	fil	395	395
5	fil	fil	fil	g1	g1
6	170	293	186	n/c	n/c
7	g1	g1	g1	fil	fil
8	0.87	160	1.30	28.5	28.5
9	fil	fil	fil	n/a	n/a



C17 is 100uF/100uF 500V dual section 1.375" can.
 C18 is 50uF/50uF 500V dual section 1.375" can.
 L1 is Hammond 158Q, 5H, 150mA, 105DCR.
 All resistors 1W carbon film unless otherwise noted.
 All coupling caps are 600V.
 Voltage readings with Fluke Type 87 DMM @ 120VAC mains.

Rev1 -> Rev1A 11/14/2014
 Added MV VR6 - 2MA
 Added HF PS filter C1
 Changed C3 from 1uF to .68uF
 Changed 1K g2 R23 & R26 to 2K 5W.
 Changed PS node C17 filter from 32uF to 47uF.
 Rev1A -> Rev1B 11/16/2014
 Added Standby Switch and 0.5A FA HT Fuse.
 Rev1B -> Rev2 09/23/2022
 Added L1 - Hammond 158Q - Replaced CRC with CLC.
 Rev2 -> Rev2a 12/23/2023
 NFB loop grounding.