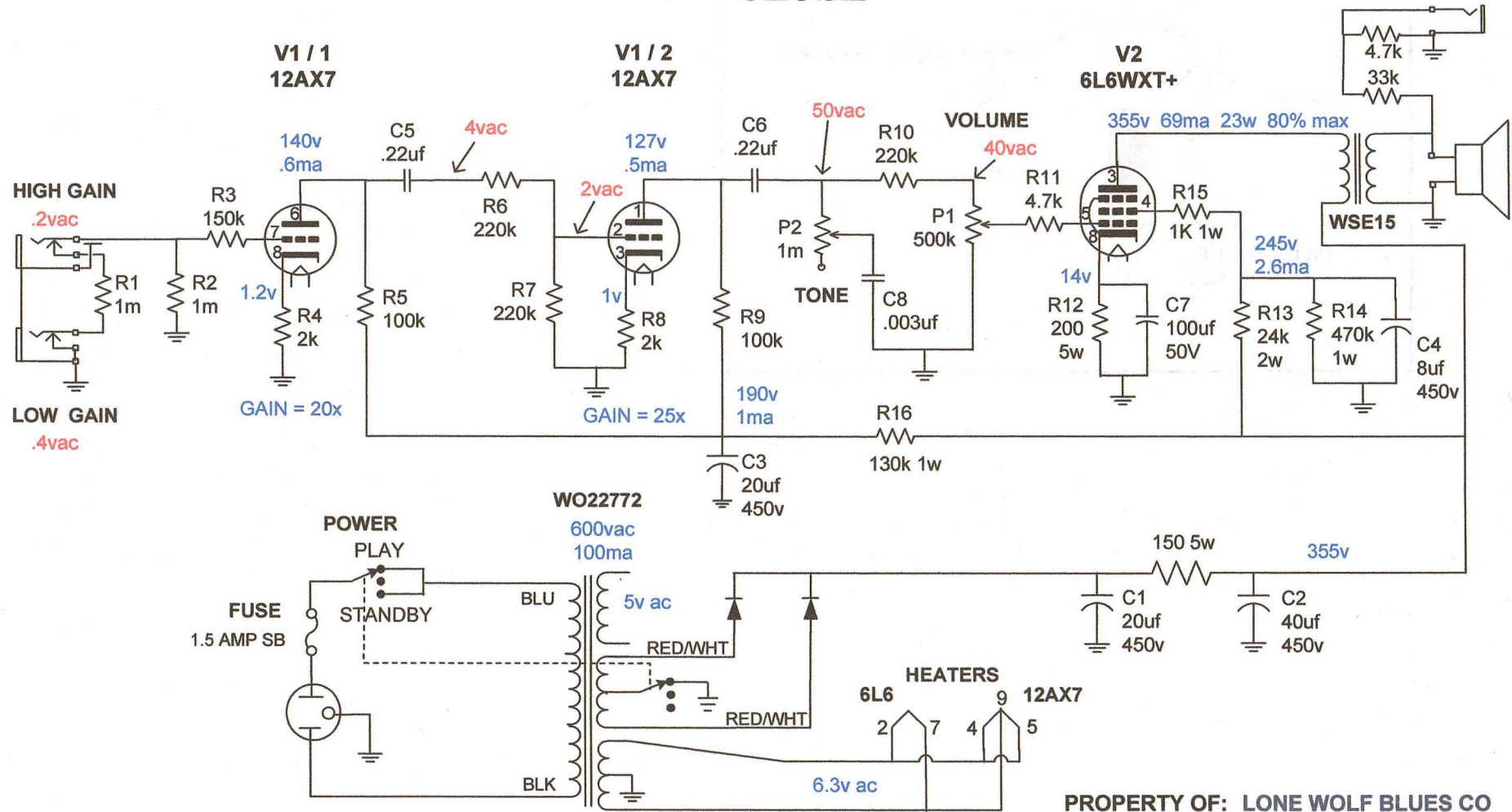


LONE WOLF BLUES COMPANY

6L6SE



MOUSER

please check the site at <http://www.mouser.com> for current pricing

PART NUMBER	VALUE	DESCRIPTION	QTY	COST	TOTAL
273-2k-RC	2k 1/2w	carbon resistor	2	0.14	\$0.28
273-4.7k-RC	4.7k 1/2w	carbon resistor	2	0.14	\$0.28
273-33k-RC	33k 1/2w	carbon resistor	1	0.14	\$0.14
273-150k-RC	150k 1/2w	carbon resistor	1	0.14	\$0.14
273-220k-RC	220k 1/2w	carbon resistor	3	0.14	\$0.42
273-1m-RC	1m 1/2w	carbon resistor	2	0.14	\$0.28
262-1.0k	1k 1w	metal oxide resistor	1	0.13	\$0.13
261-100k	100k 1w	metal oxide resistor	2	0.13	\$0.26
261-130k	130k 1w	metal oxide resistor	1	0.13	\$0.13
261-470k	470k 1w	metal oxide resistor	1	0.13	\$0.13
262-24k	24k 2w	metal oxide resistor	1	0.19	\$0.19
286-200	200 5w	wire wound resistor	1	0.49	\$0.49
280-CR10-150	150 10w	cement resistor	1	0.55	\$0.55
140-PF2A502K	.003uf	polyprop cap 100v p560	1	0.10	\$0.10
75-225P400V0.22	.22uf 450v	polypropylene coupling cap	2	2.72	\$5.44
583-1N4007	1000v 1a	Diode	2	0.05	\$0.10
633-S7A-RO	DPDT switch	2 amp on-off-on	1	5.30	\$5.30
bad31VJ601	500k audio pot	audio taper pot - volume	1	1.25	\$1.25
31VA601	1m lin pot	linear taper - tone	1	1.25	\$1.25
546-1444-14	small box	9x5x2 alum. box p.1247	0	10.69	\$0.00
546-1444-18	medium box	13.5x5x2 alum. box p.1249	1	13.13	\$13.13
173-53103-E	AC line	10ft 3 prong	1	3.09	\$3.09
5164-2300	knobs	3 required p.1196	3	1.42	\$4.26
502-L-11	1/4" Jack	open tip w/washer	2	1.87	\$3.74
502-280	1/4" plug	mono for speaker	1	3.98	\$3.98
550-NMJ6HCS	1/4" Jack	Input jack, switched	2	1.10	\$2.20
158-1006	6 lug	terminal strip, mount diodes	1	0.66	\$0.66
534-7313	grounds	ground lugs p.983	2	0.14	\$0.28
534-1540-4	.125/.172	terrets	35	0.14	\$4.90
534-8426	1/2"	spacers	4	0.68	\$2.72
		SHIPPING EST.	1	10.00	\$10.00
				TOTAL	\$65.82

WEBER

please check the site at <http://www.tedweber.com> for current pricing

EC256-50	100uf 50v	electrolytic	1	0.50	\$0.50
EC805-450	8uf 450v	electrolytic	1	0.80	\$0.80
EC2206-450	20uf 450v	electrolytic	2	1.20	\$2.40
EC2406-450	40uf 450v	electrolytic	1	1.80	\$1.80
EC107-50	100uf 50v	electrolytic cap	1	0.65	\$0.65
PL-6	6.3v light	full assembly	1	1.25	\$1.25
CF-1	1A fuse	slow blow	1	0.35	\$0.35
FH-2		chassis mount fuse holder	1	1.25	\$1.25
6N-4		AC stress relief	1	0.25	\$0.25
SKT-9	9 pin socket	miniature for 12AX7	1	1.25	\$1.25
SKT-8	8 pin socket	for 6L6 and 5Y3	1	1.50	\$1.50
Sig 8	8" speaker	ceramic 8", 8 ohm (H dust cap)	0	24.00	\$0.00
Sig 10	10" speaker	ceramic 10", 8 ohm (H dust cap)	1	30.00	\$30.00
Sig 12	12" speaker	ceramic 12", 8 ohm (H dust cap)	0	35.00	\$0.00
WSE15	Output Trans	15 watt	1	28.00	\$28.00
W022772	Power Trans	330v 100ma 10w transformer	1	35.00	\$35.00
???	circuit board	custom circuit board			
		SHIPPING EST.	1	10.00	\$10.00
				TOTAL	\$115.00

ANTIQUÉ ELECTRONICS

please check the site at <http://www.tubesandmore.com> for current pricing

T-6L6WXT+SOVT	6L6WXT+	Sovteck	1	9.95	\$9.95
T-12AX7-S-JJ	12AX7	JJ Telsa	1	9.50	\$9.50
		SHIPPING EST.	1	10.00	\$10.00
				TOTAL	\$29.45

WATTS TUBE AUDIO

please check the site at <http://www.turretboards.com> for current pricing

	board	2.5"x8.5" Phenolic Linen strip	1	7.80	\$7.80
		lots of parts available at this site check it out			
		SHIPPING EST.	1	10.00	\$10.00
				TOTAL	\$7.80

