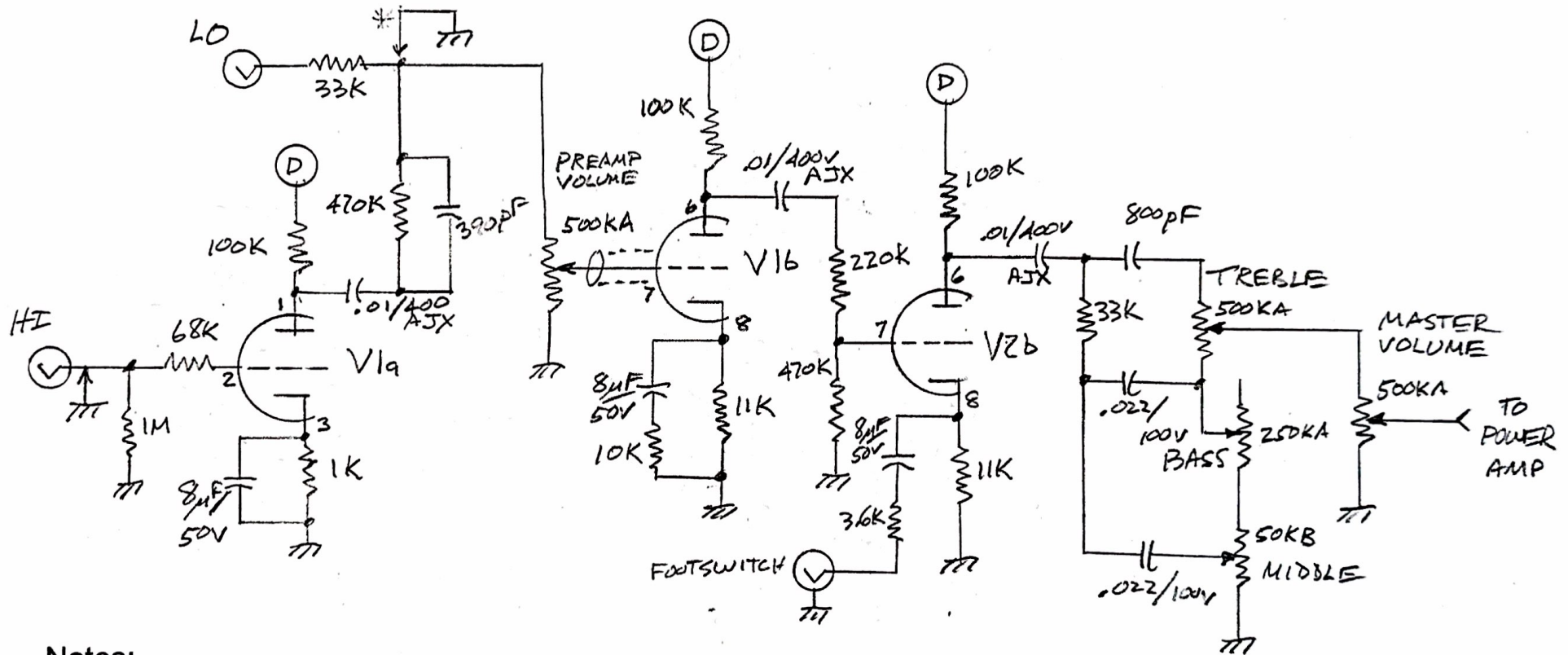


RISSON M18E – Preamp



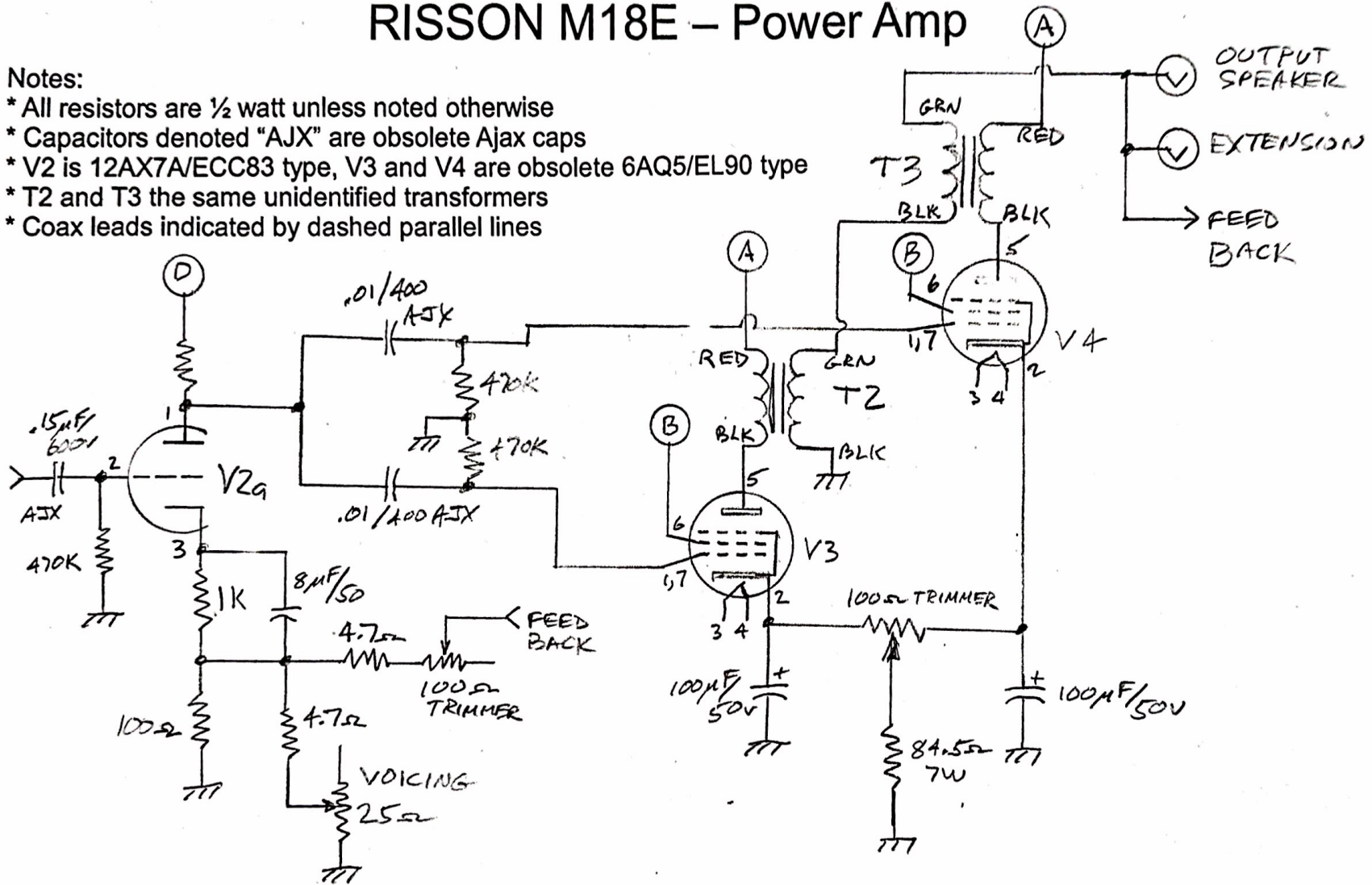
Notes:

- * All resistors are ½ watt unless noted otherwise
- * Capacitors denoted "AJX" are obsolete Ajax caps
- * V1 and V2 are 12AX7A/ECC83 types
- * Coax leads indicated by dashed parallel lines

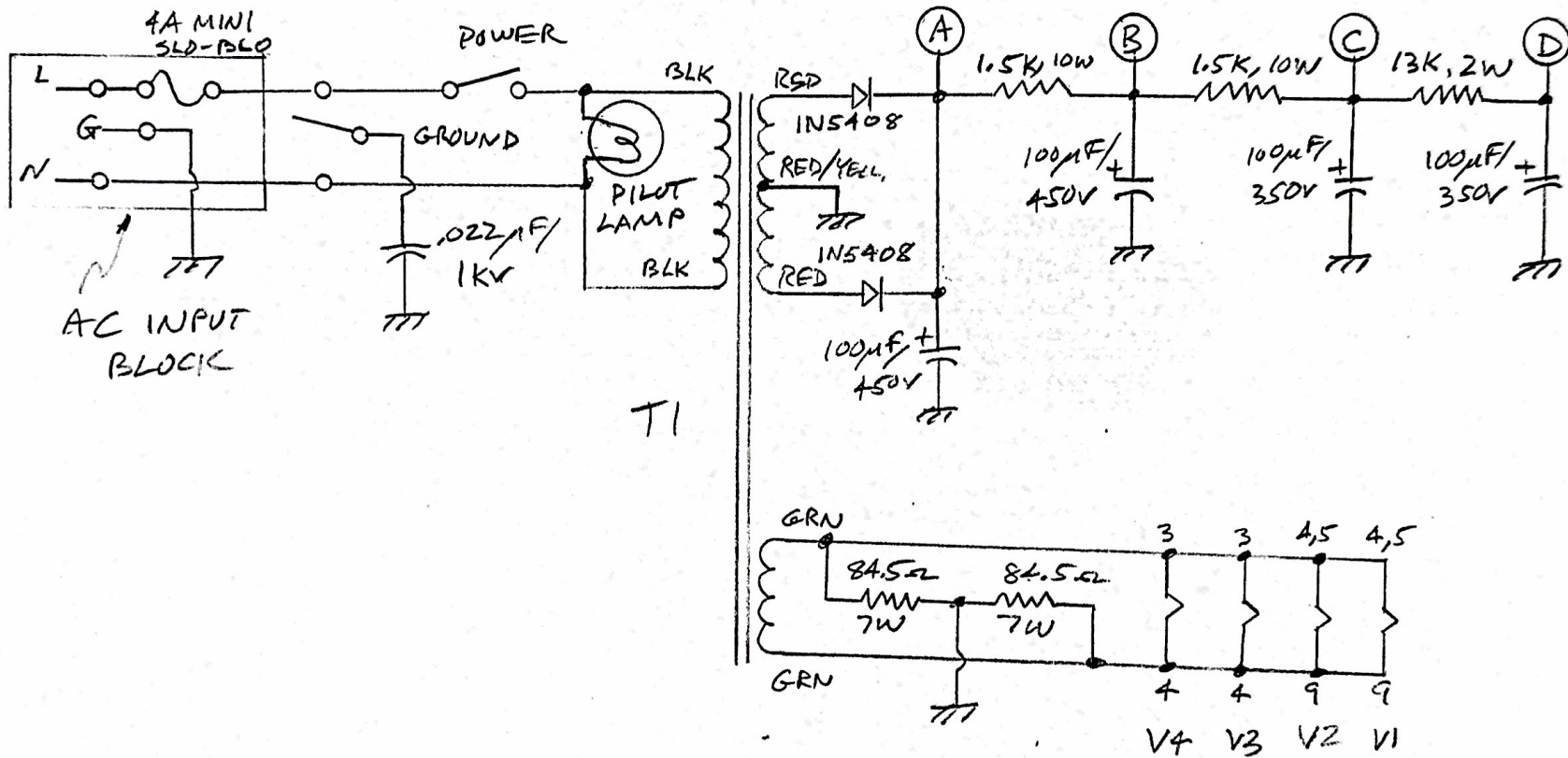
RISSON M18E – Power Amp

Notes:

- * All resistors are ½ watt unless noted otherwise
- * Capacitors denoted "AJX" are obsolete Ajax caps
- * V2 is 12AX7A/ECC83 type, V3 and V4 are obsolete 6AQ5/EL90 type
- * T2 and T3 the same unidentified transformers
- * Coax leads indicated by dashed parallel lines



RISSON M18E – Power Supply



Notes:

- * Pilot lamp is generic 120VAC lamp assembly
- * T1 is unidentified transformer