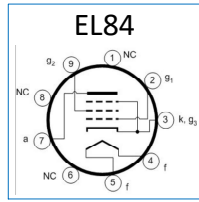
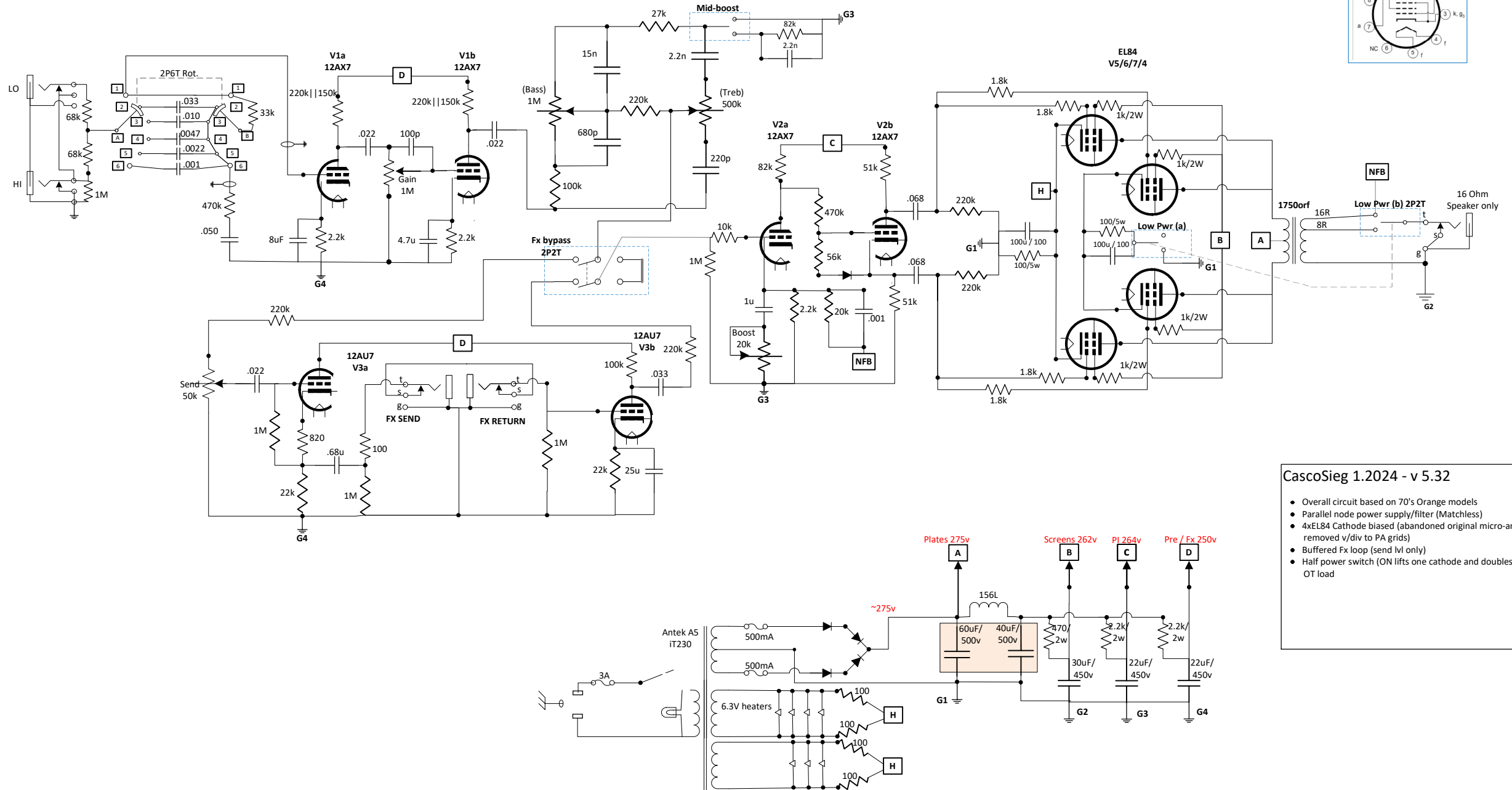


# 112 combo, 4x Cathode biased power, Orange pre (OR100) and driver/PI with boost and NFB, Tube buffered FX loop, Half-power option



CascoSieg 1.2024 - v 5.32

- Overall circuit based on 70's Orange models
- Parallel node power supply/filter (Matchless)
- 4xEL84 Cathode biased (abandoned original micro-amp concept, removed v/div to PA grids)
- Buffered Fx loop (send lvl only)
- Half power switch (ON lifts one cathode and doubles the reflected OT load)