

XX	CN1234	01-01-01	0XA
ISSUE	ECO No.	DATE	INITIAL

**Blackstar**  
**AMPLIFICATION**  
 COPYRIGHT EXISTS ON THIS DOCUMENT. IT MUST NOT BE USED FOR ANY PURPOSE OTHER THAN THAT FOR WHICH IT WAS SUPPLIED AND MUST NOT BE COPIED IN WHOLE OR PART WITHOUT WRITTEN PERMISSION OF BLACKSTAR AMPLIFICATION

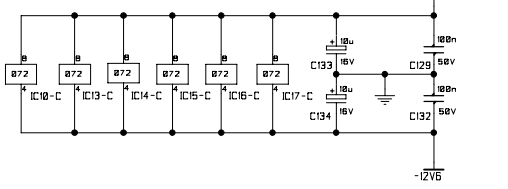
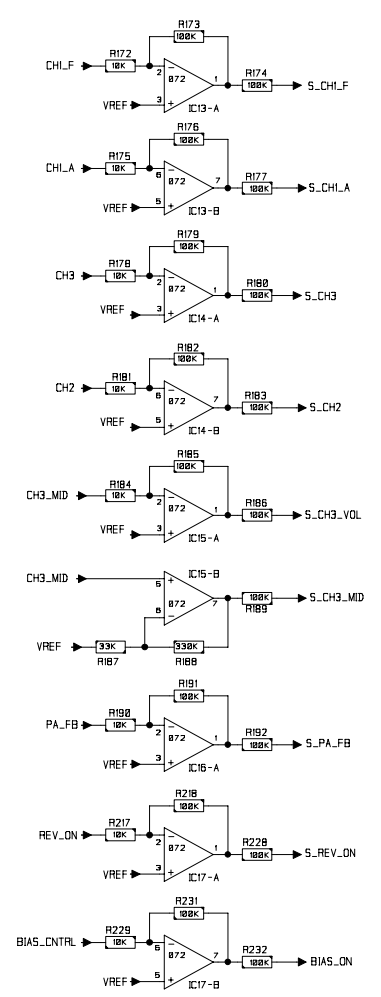
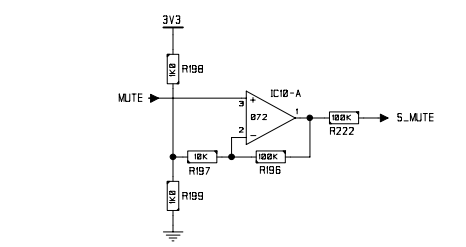
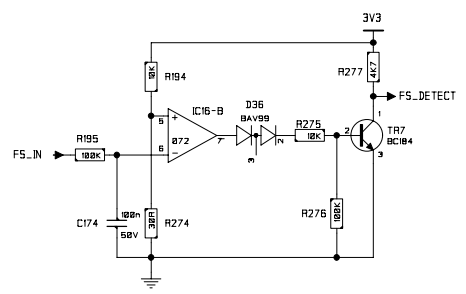
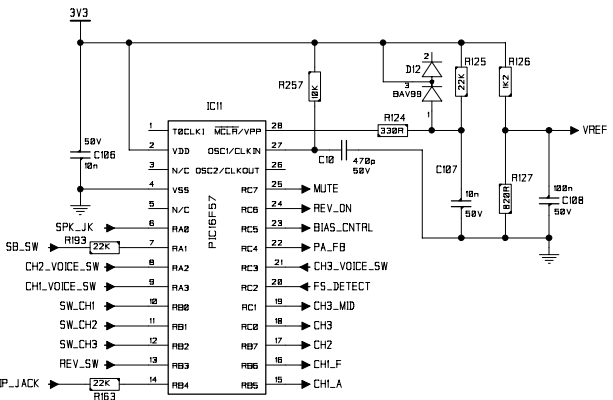
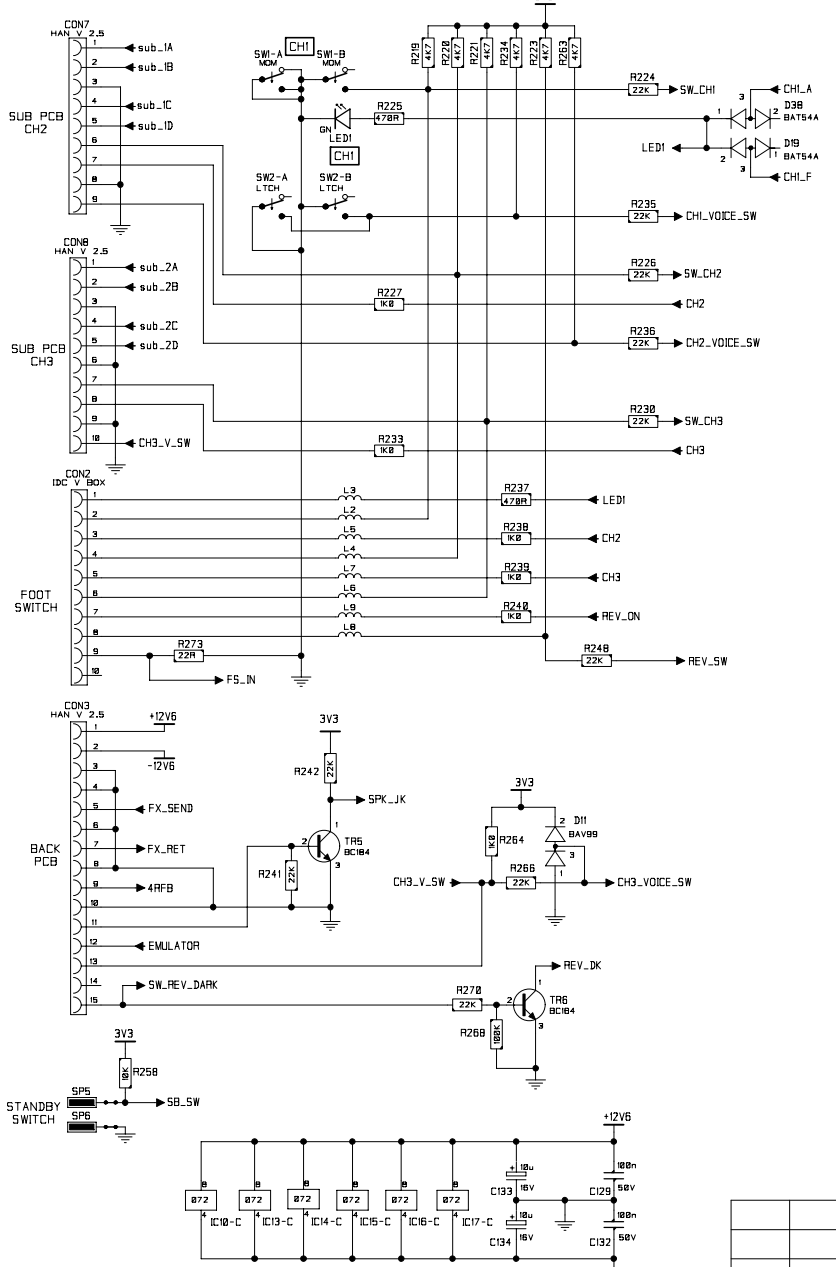
DWG No.	ISS:
DRAWN BY	DATE
CHECKED BY	DATE
APPROVED BY	DATE

SHT. 1	TITLE
OF 4	FRONT PCB
	INPUT STAGES
	MODEL COLNE 100/60
	HT STAGE 100/60

DATE	05-01-10
DATE	
DATE	



A B C D E F G H I J



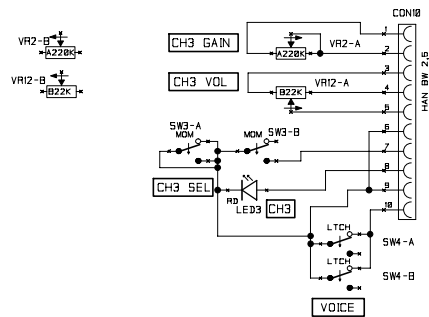
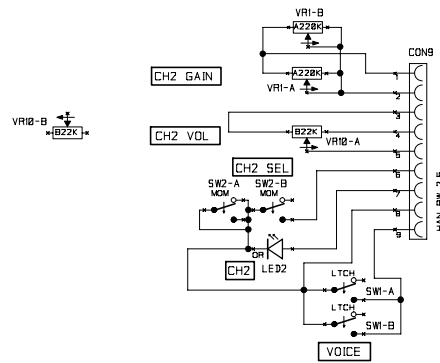
XX	CN1234	01-01-01	0XA
ISSUE	ECD No.	DATE	INITIAL

**Blackstar**  
**AMPLIFICATION**  
 COPYRIGHT EXISTS ON THIS DOCUMENT. IT MUST NOT BE USED FOR ANY PURPOSE OTHER THAN THAT FOR WHICH IT WAS SUPPLIED AND MUST NOT BE COPIED IN WHOLE OR PART WITHOUT WRITTEN PERMISSION OF BLACKSTAR AMPLIFICATION

DWG No.	ISS: 1B	SHT. 3 OF 4	TITLE FRONT PCB PIC AND FET DRIVE
DRAWN BY CLIFF BROWN	DATE 05-01-10		MODEL COLNE 100/60
CHECKED BY	DATE		HT STAGE 100/60
APPROVED BY	DATE		

A B C D E F G H I J

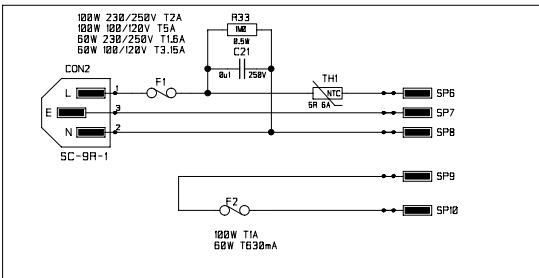
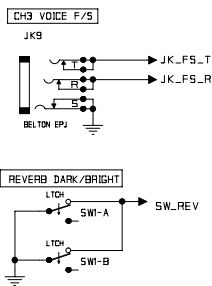
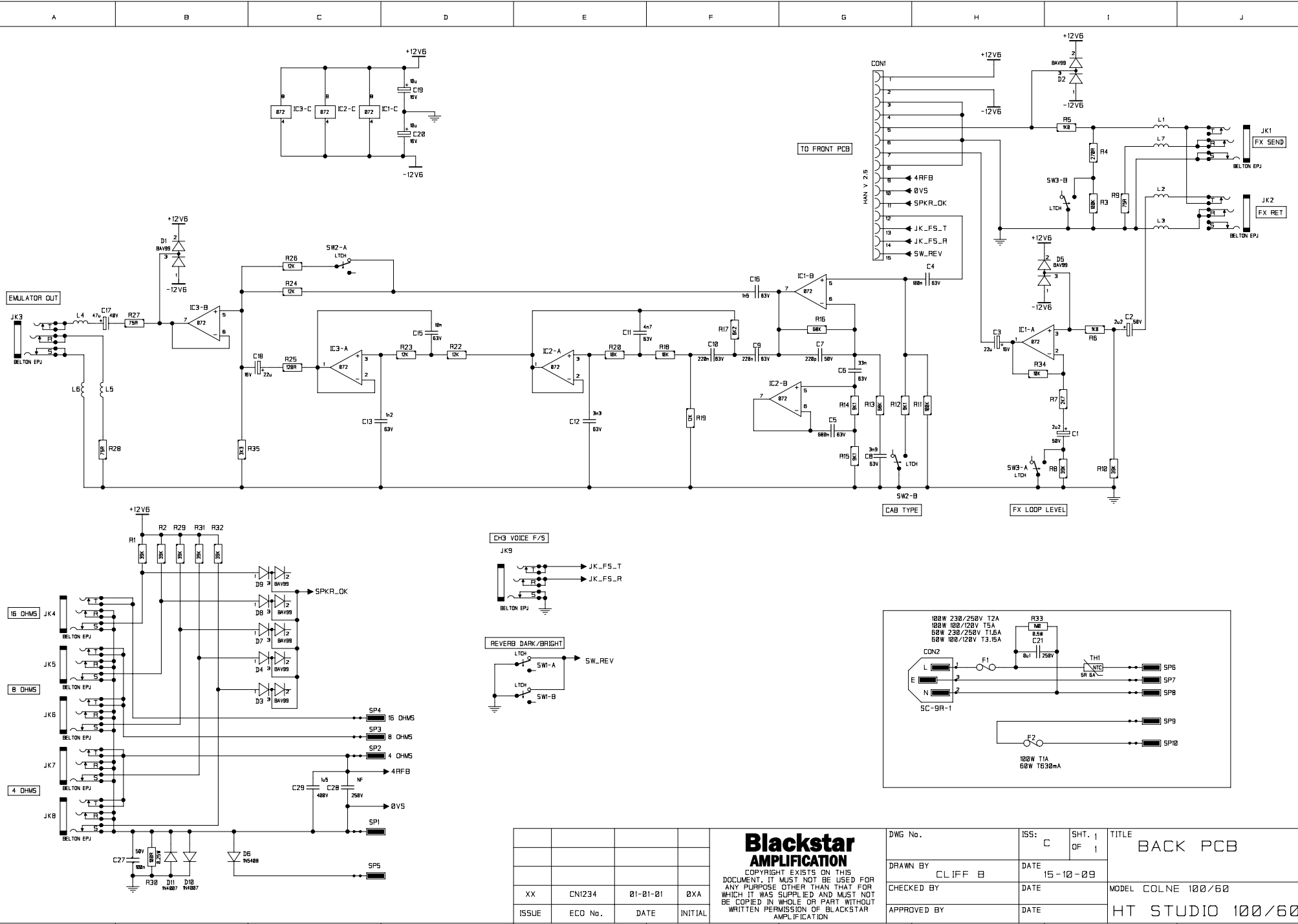




### Blackstar AMPLIFICATION

COPYRIGHT EXISTS ON THIS DOCUMENT. IT MUST NOT BE USED FOR ANY PURPOSE OTHER THAN THAT FOR WHICH IT WAS SUPPLIED AND MUST NOT BE COPIED IN WHOLE OR PART WITHOUT WRITTEN PERMISSION OF BLACKSTAR AMPLIFICATION

						DWG No.	ISS: C	SHT. 1 OF 1	TITLE SUB PCB
XX	CN1234	01-01-01	0XA			DRAWN BY CLIFF BROWN	DATE 13-10-09		
ISSUE	ECD No.	DATE	INITIAL			CHECKED BY	DATE		MODEL COLNE 100/60
						APPROVED BY	DATE		HT STAGE 100/60

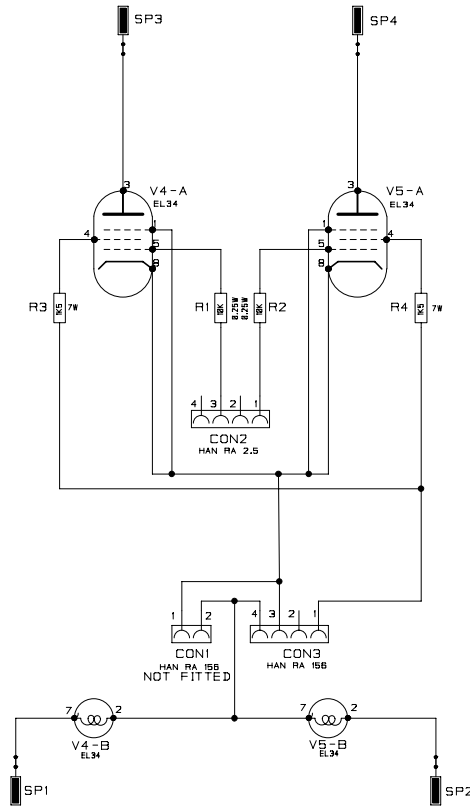


# Blackstar AMPLIFICATION

COPYRIGHT EXISTS ON THIS DOCUMENT. IT MUST NOT BE USED FOR ANY PURPOSE OTHER THAN THAT FOR WHICH IT WAS SUPPLIED AND MUST NOT BE COPIED IN WHOLE OR PART WITHOUT WRITTEN PERMISSION OF BLACKSTAR AMPLIFICATION

XX	CN1234	01-01-01	0XA
ISSUE	ECD No.	DATE	INITIAL

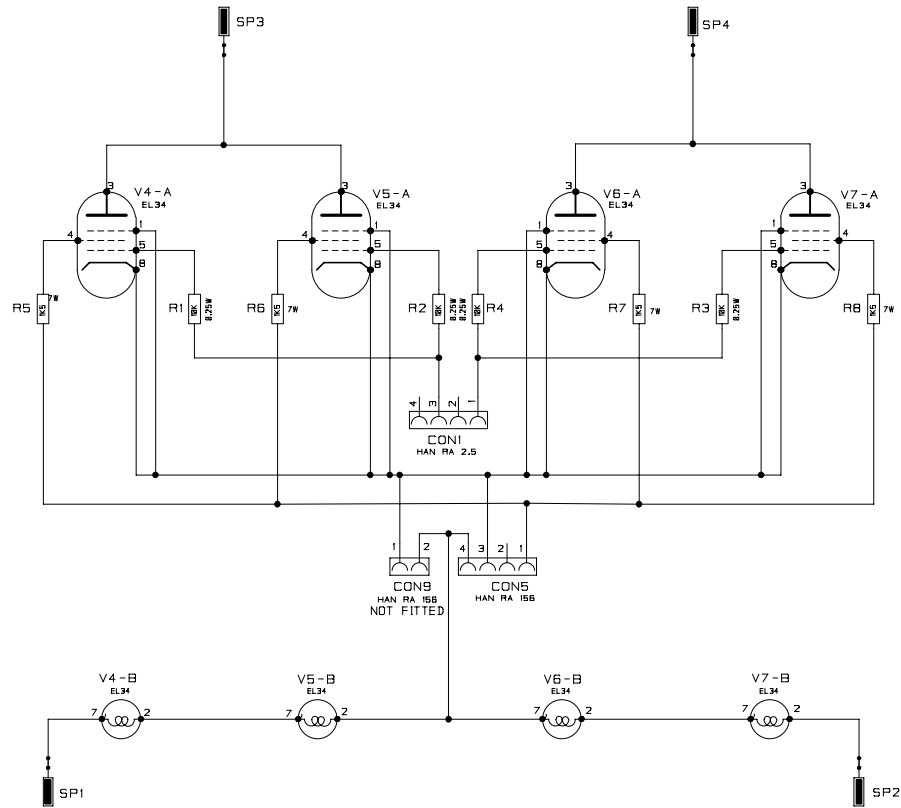
DWG No.	ISS: C	SHT. 1 OF 1	TITLE BACK PCB
DRAWN BY CLIFF B	DATE 15-10-09		
CHECKED BY	DATE		MODEL COLNE 100/60
APPROVED BY	DATE		HT STUDIO 100/60



### Blackstar AMPLIFICATION

COPYRIGHT EXISTS ON THIS DOCUMENT. IT MUST NOT BE USED FOR ANY PURPOSE OTHER THAN THAT FOR WHICH IT WAS SUPPLIED AND MUST NOT BE COPIED IN WHOLE OR PART WITHOUT WRITTEN PERMISSION OF BLACKSTAR AMPLIFICATION

					DWG No.	ISS: C	SHT. 1 OF 1	TITLE
					DRAWN BY	CLIFF BROWN	DATE	13-10-09
XX	CN1234	01-01-01	0XA		CHECKED BY		DATE	MODEL COLNE 60
ISSUE	ECD No.	DATE	INITIAL		APPROVED BY		DATE	HT STAGE 60



### Blackstar AMPLIFICATION

COPYRIGHT EXISTS ON THIS DOCUMENT. IT MUST NOT BE USED FOR ANY PURPOSE OTHER THAN THAT FOR WHICH IT WAS SUPPLIED AND MUST NOT BE COPIED IN WHOLE OR PART WITHOUT WRITTEN PERMISSION OF BLACKSTAR AMPLIFICATION

XX	CN1234	01-01-01	0XA
ISSUE	ECD No.	DATE	INITIAL

DWG No.	ISS: C	SHT. 1 OF 1	TITLE
DRAWN BY CLIFF BROWN	DATE 14-09-09		100W POWER VALVE PCB
CHECKED BY	DATE		MODEL COLNE 100
APPROVED BY	DATE		HT STAGE 100