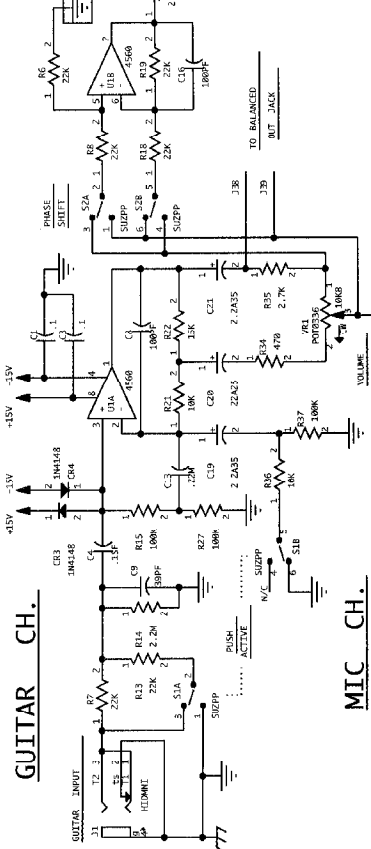
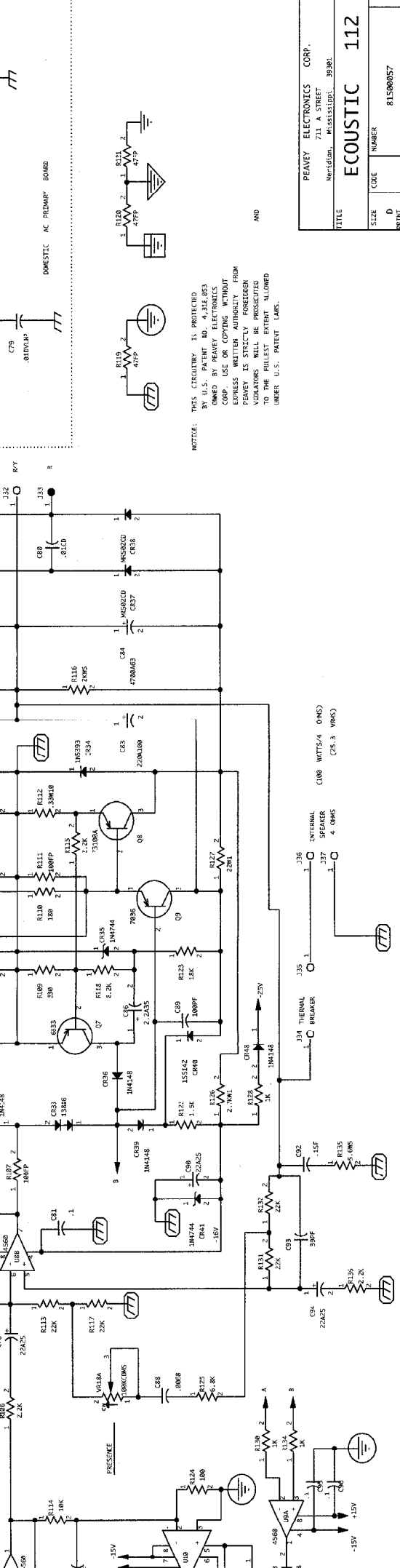
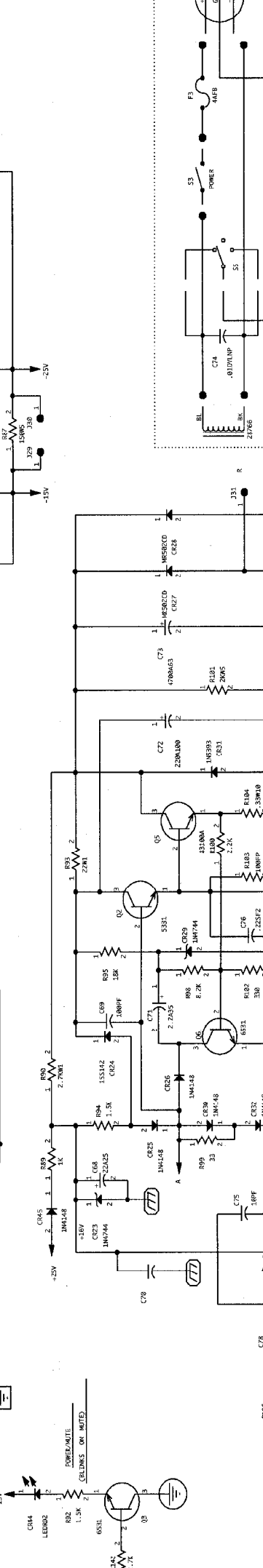
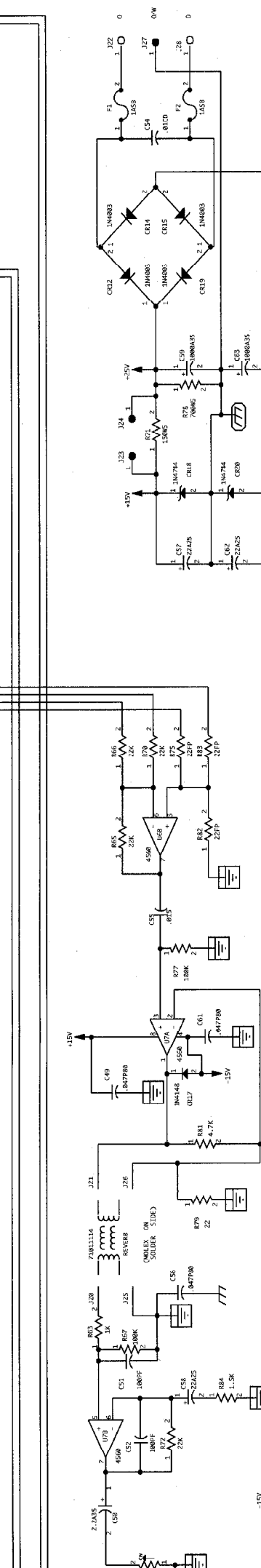
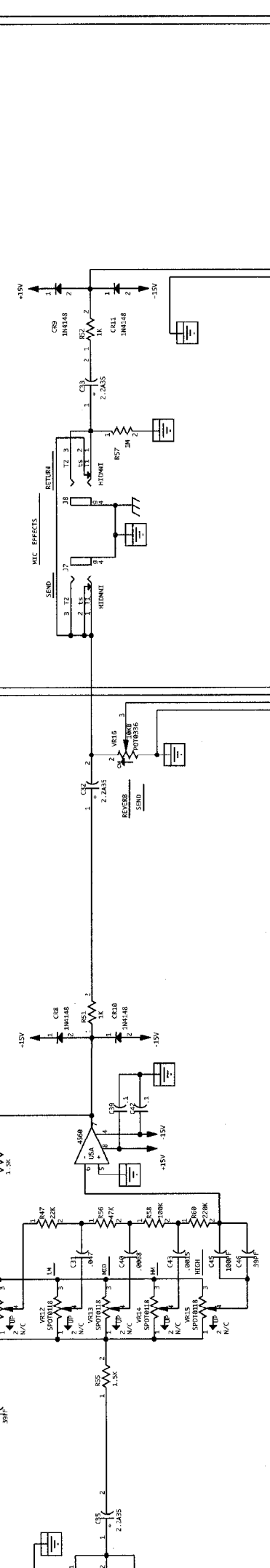
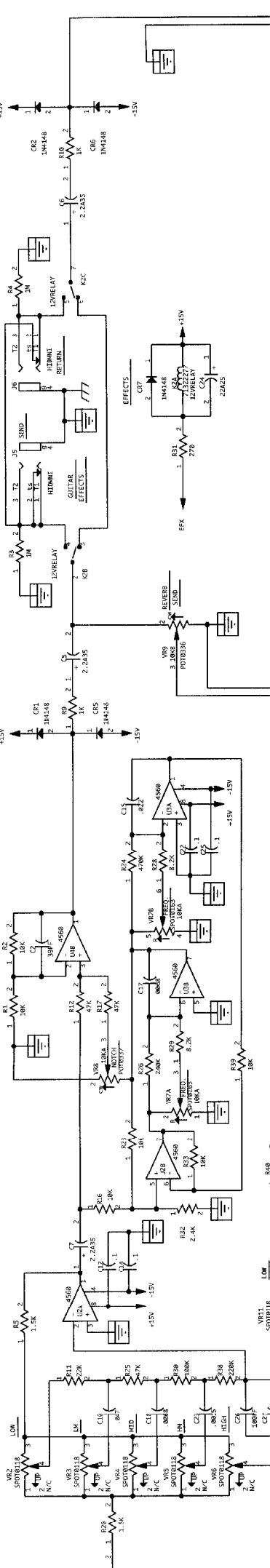
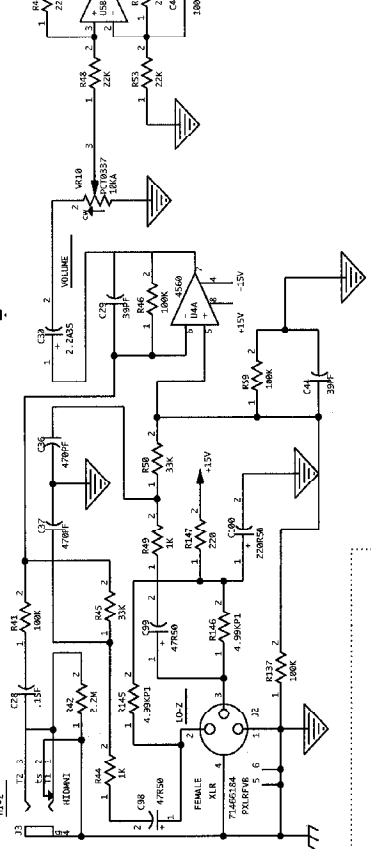


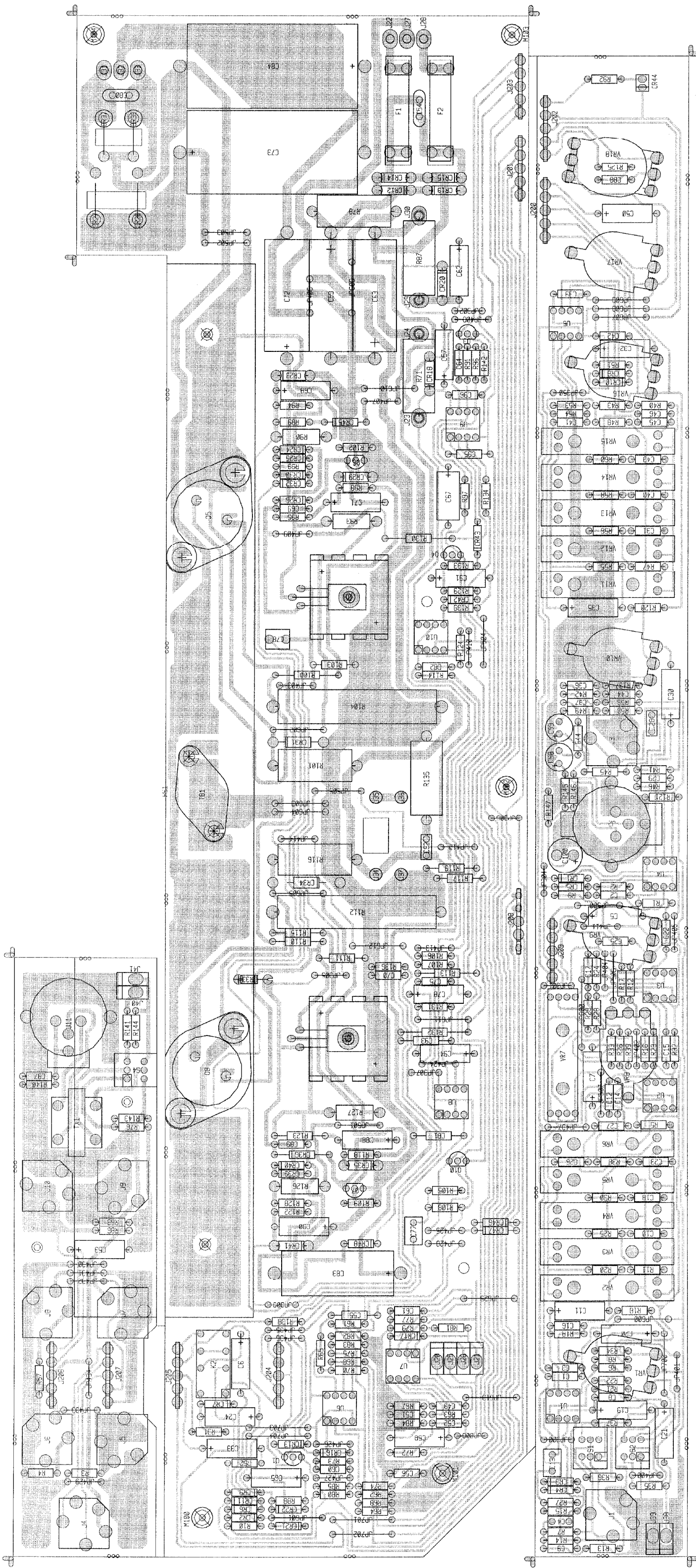
GUITAR CH.



MIC CH.



NOTICE: THIS CIRCUITRY IS PROTECTED BY U.S. PATENT NO. 4,314,853 OWNED BY PEAVEY ELECTRONICS CORP. NO REPRODUCTION OR IMITATION OF THIS CIRCUITRY WITHOUT THE WRITTEN PERMISSION OF PEAVEY ELECTRONICS CORP. IS STRICTLY PROHIBITED. VIOLATORS WILL BE PROSECUTED TO THE FULLEST EXTENT ALLOWED UNDER U.S. PATENT LAWS.



ECOUSTIC 112

