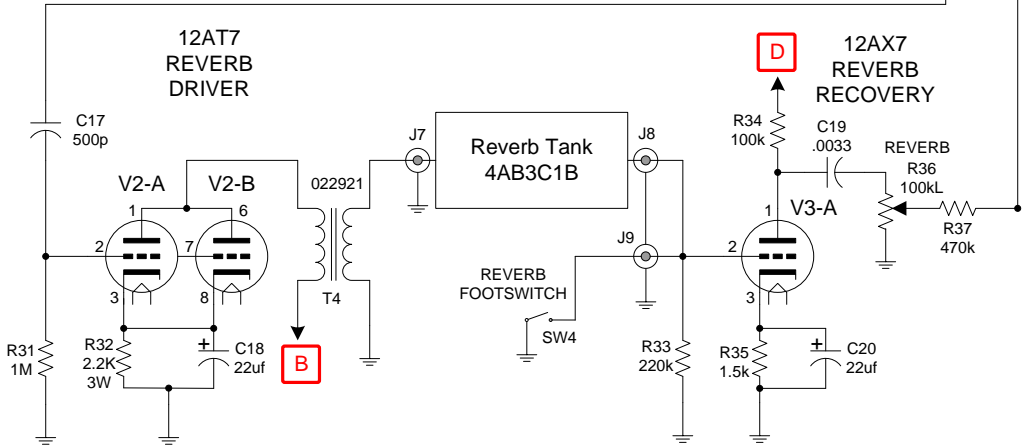
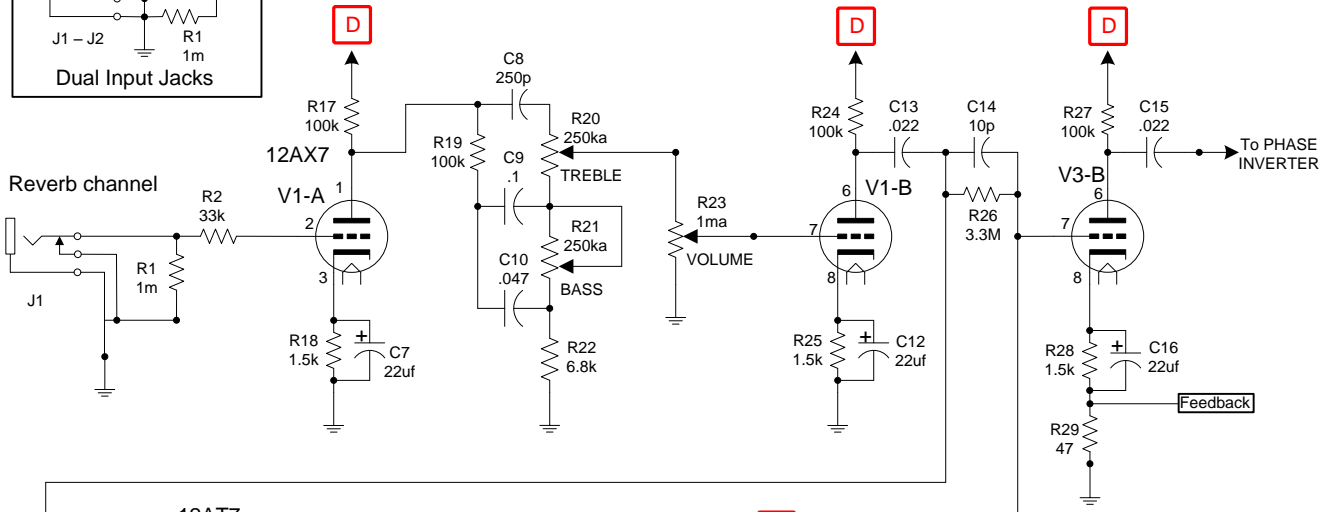
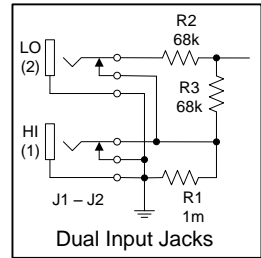


Clickable Links

- [Hoffman Amplifiers parts catalog](#)
- [EL34 World Tube amp Library page](#)
- [Hoffman Layout diagram hookup information](#)

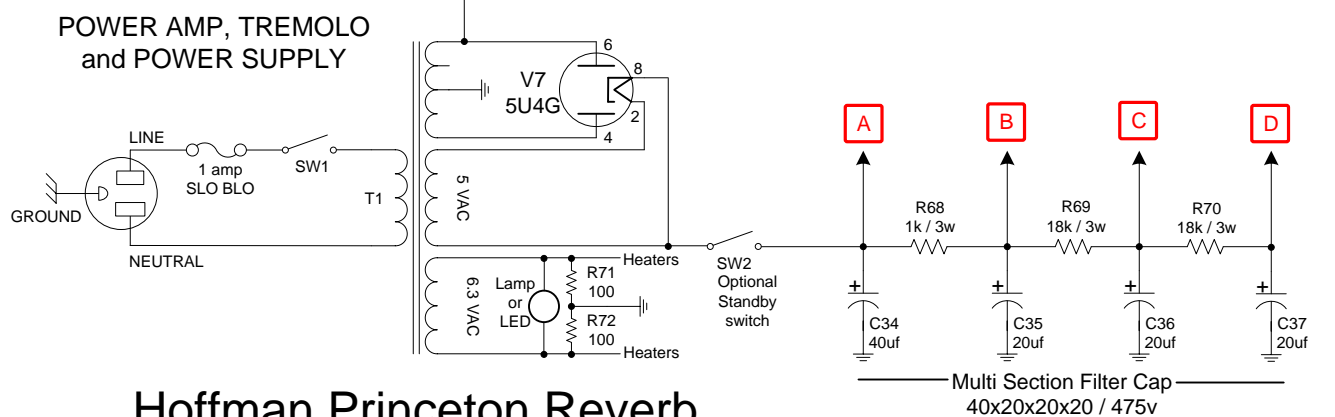
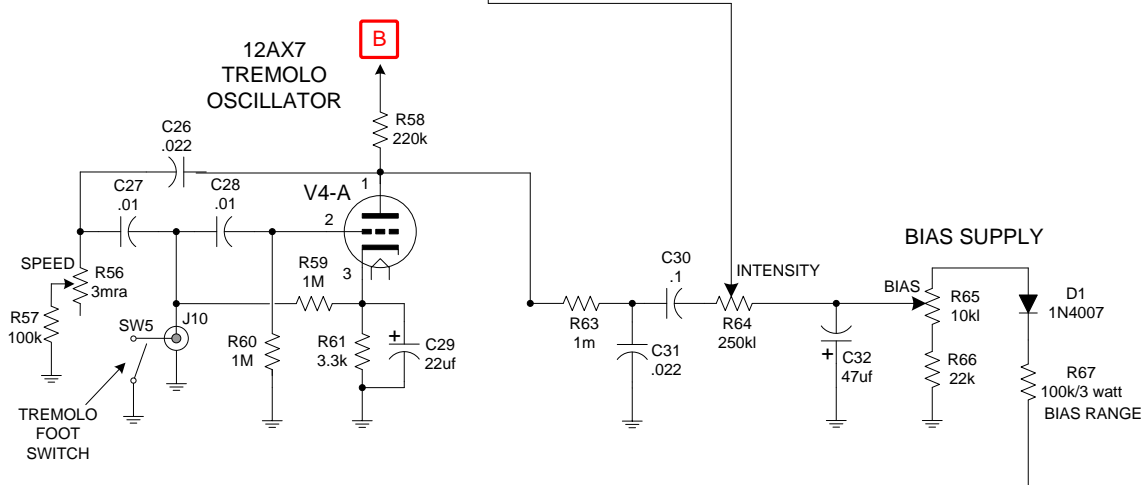
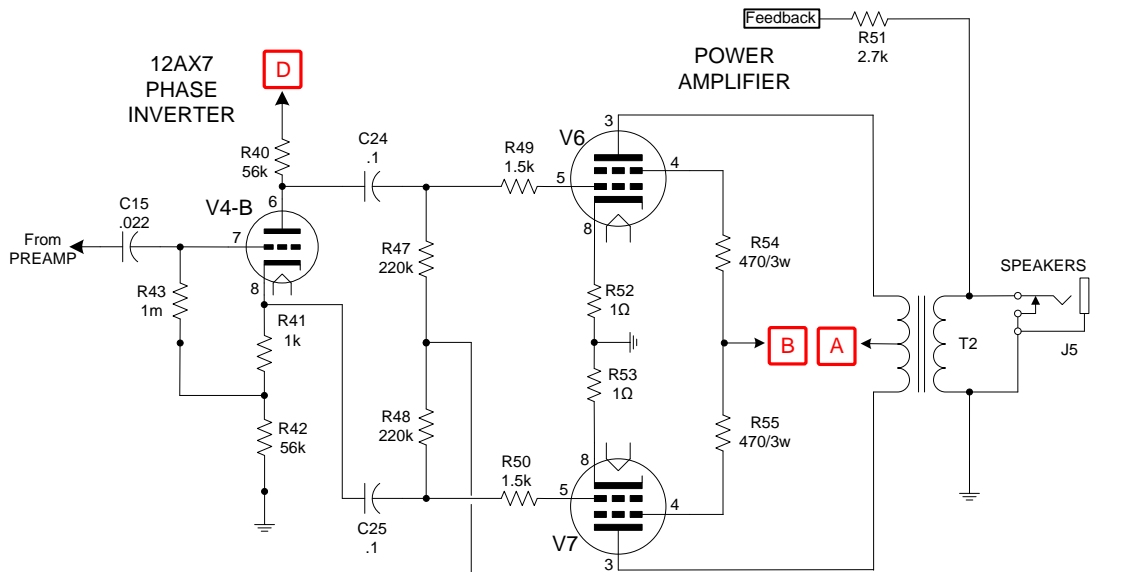
Hoffman princeton Reverb  
[www.hoffmanamps.com](http://www.hoffmanamps.com)



Hoffman Princeton Reverb  
[www.hoffmanamps.com](http://www.hoffmanamps.com)

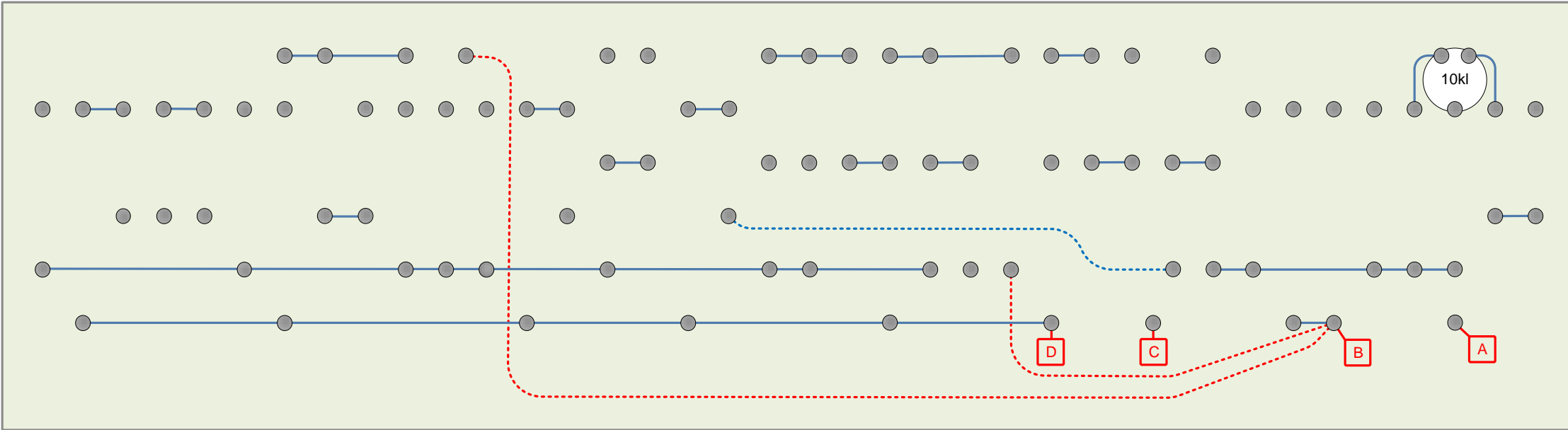
PREAMP and REVERB

Thanks to Sluckey on the Hoffmamps forum for creating the original schematic



Hoffman Princeton Reverb  
[www.hoffmanamps.com](http://www.hoffmanamps.com)

Thanks to Sluckey on the Hoffmamps forum for creating the original schematic



Hoffman Amplifiers Princeton Reverb

[www.hoffmanamps.com](http://www.hoffmanamps.com)