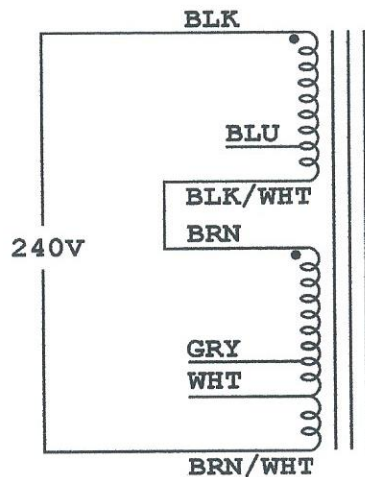
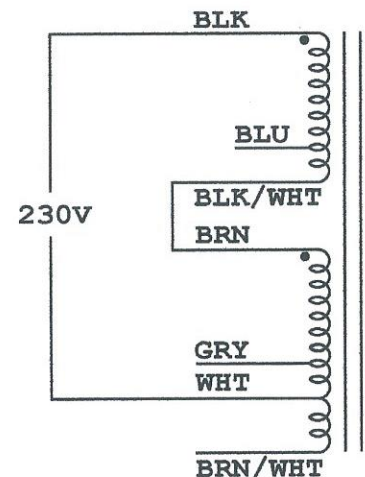
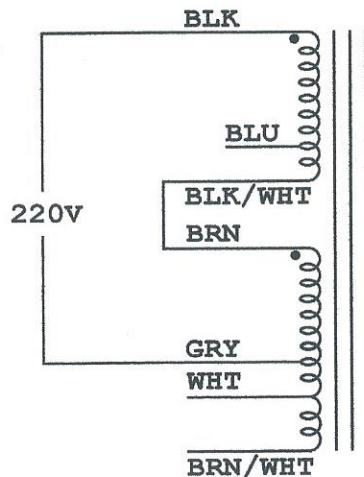
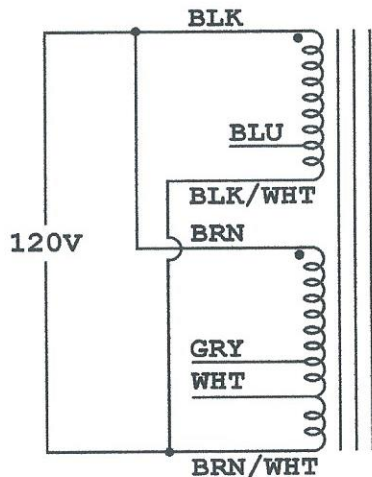
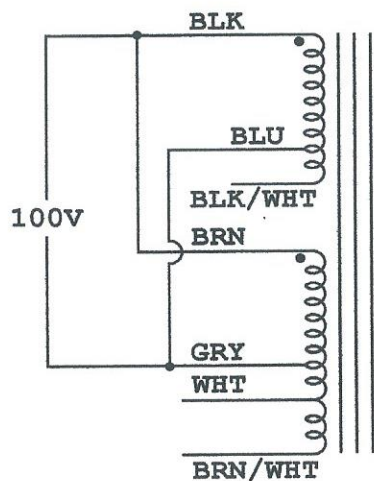


This drawing is the property of Magnetic Components, Inc. and shall not be reproduced, in whole or in part, without the written permission of Magnetic Components, Inc.

REVISIONS		DATE	APPROVED
LTR	DESCRIPTION		



UNLESS OTHERWISE SPECIFIED		SIGNATURES		DATE	MAGNETIC COMPONENTS, INC.		DIV :	
ALL DIMENSIONS IN INCHES DO NOT SCALE DRAWING		DRAWN : <i>Mef</i>		03 FEB 2012	TITLE		LOC : SCHILLER PK	
FRACTIONS +/-		CHECK :			PRIMARY WIRING DIAGRAMS			
.X = +/-		APPR : <i>M. S. Lopez</i>		03 FEB 2012	CAGE	SIZE	PART No.	REV
.XX = +/-					50508	A	40-18085	B
.XXX = +/-					SCALE			
ANGLES = +/-					NONE			
						SHEET : 2 OF 2		