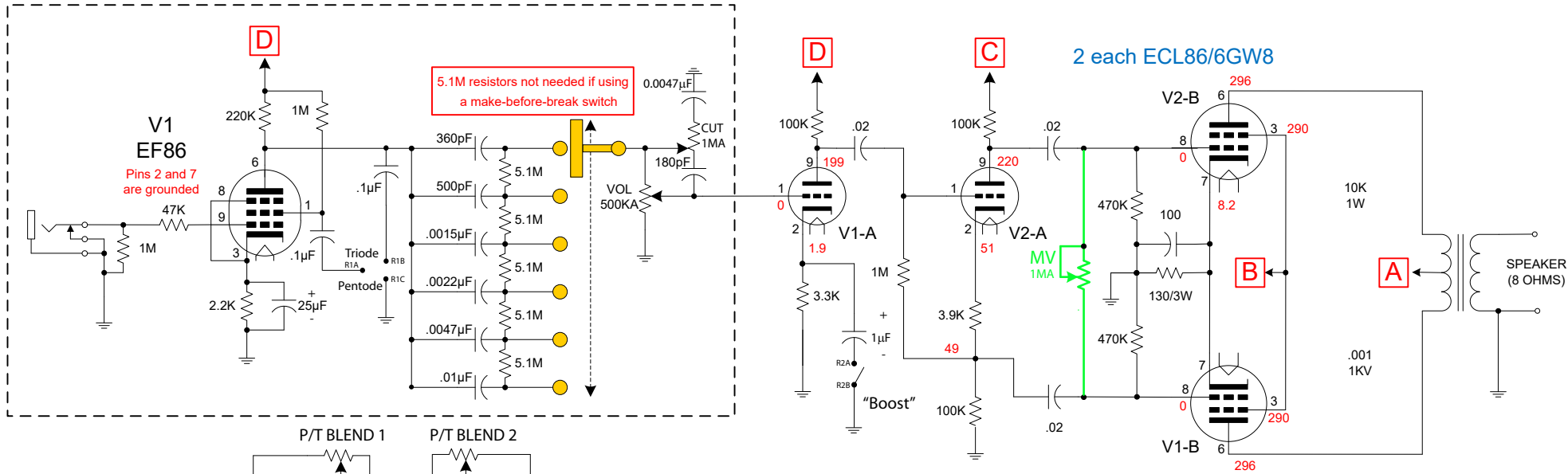


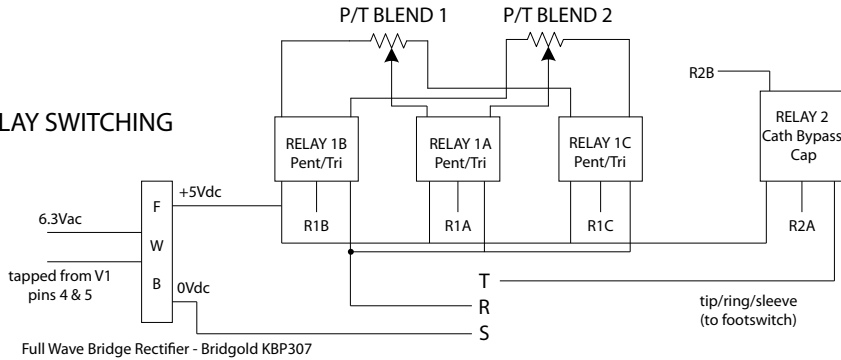
Voxy Pee Wee HAMMOND (AO-44 conversion)

Schematic by Steve Luckey on August 12, 2020

Triode/Pentode switch, treble "Cut" control, cathode bypass cap "boost" added (MWaldorf 9/5/2020)



RELAY SWITCHING



Conversion notes

- Removed transistor circuitry and Volume Compressor.
- Power amp and power supply are completely stock AO-44 except for note 1.
- Added Vox EF86 preamp.
- Voltages measured with Fluke 87V. Line voltage set to 120VAC.
- Removed R/C filter across OT primary.
- Removed 68K NFB resistor.

