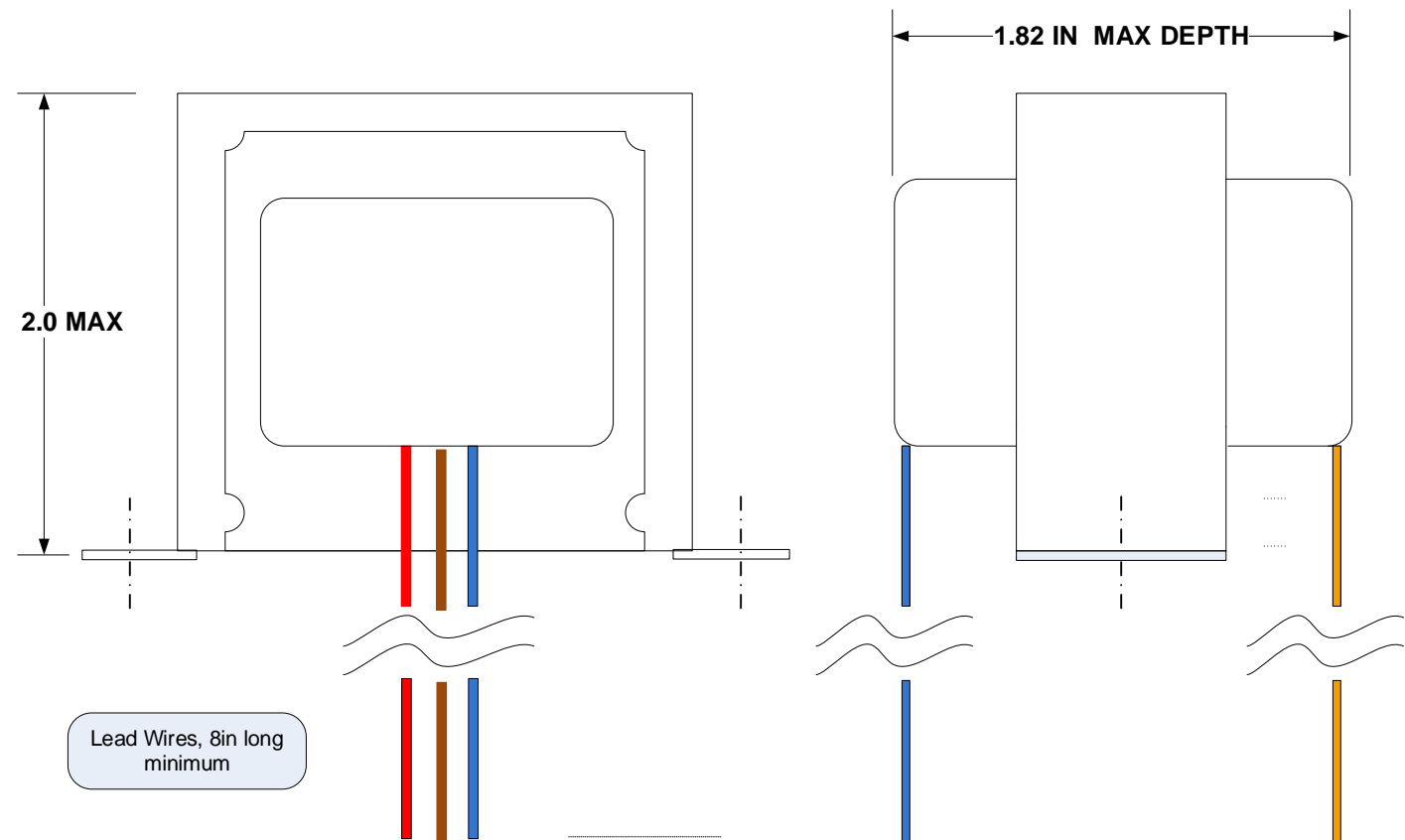
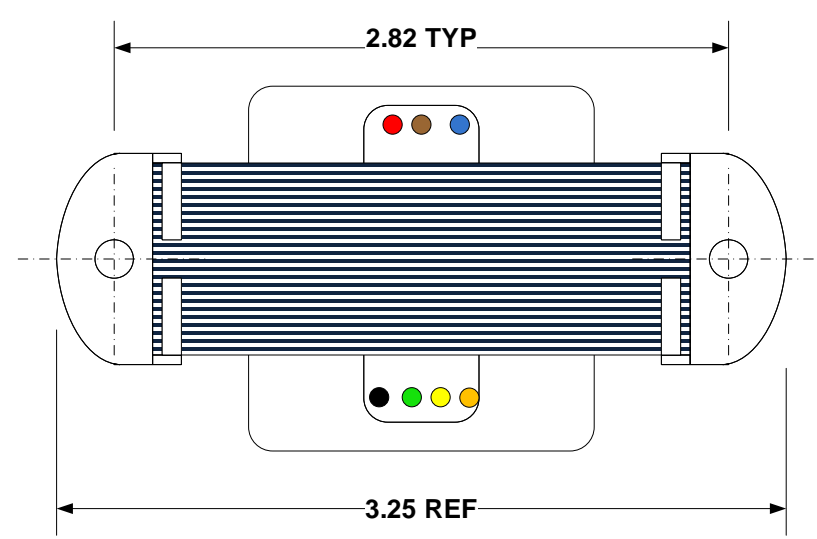
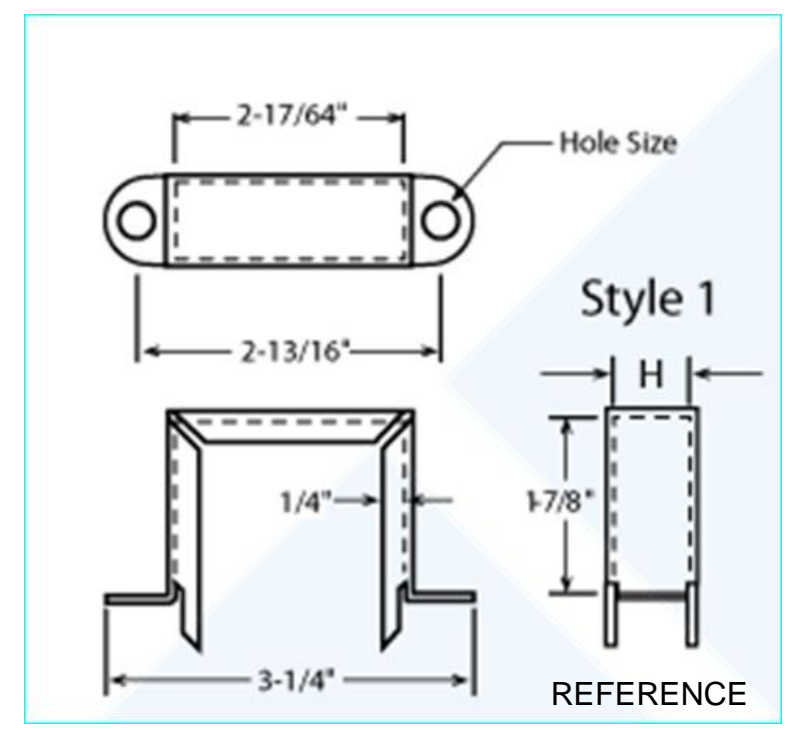


OT8SE STANDARD

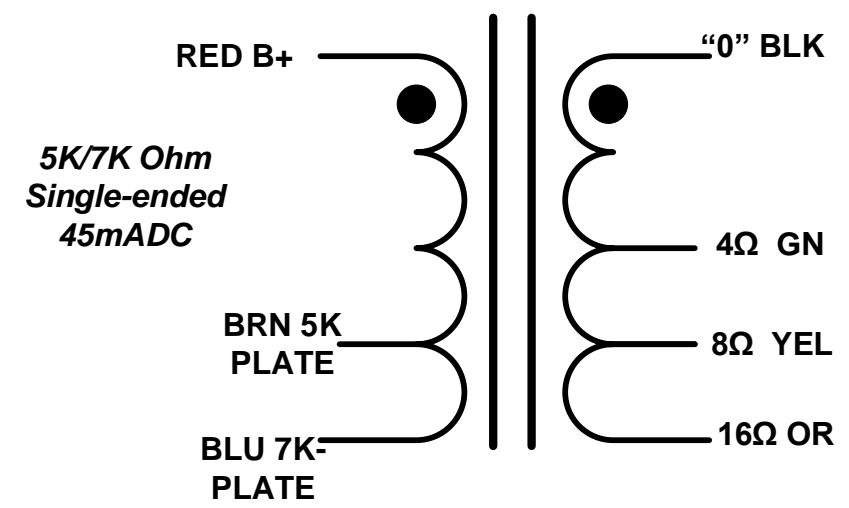


INPUT CONNECTIONS:
BRN-RED-BLU 22AWG

OUTPUT CONNECTIONS:
BK(0)-GN(4)-YL(8)-OR(16Ω) 22AWG



SCHEMATIC OT8SE STANDARD



CONSTRUCTION DETAILS-
 Laminations: 29M6 x EI-75 x 1 IN STACK
 Bobbin: EI-75 3/4 window, Rynite UL94V-0
 Magnet Wire: MW80 155C or higher
 Varnish- Class B 130C
 Tapes: 3M #56 (inner) & #20 (outer wrap)
 Covers: Bahr's USA ETC, 3/4 Frame and Shield, Fully Shielded Construction
 With SH200 x 17/32DP EI75 coil covers in Tin Electroplate

PERFORMANCE
 Operating Voltage 500Vac Maximum
 HiPot Test Ratings 1000Vac minimum
 Frequency Response 82Hz (Low E) to 15KHz measured at 100HZ/1Vac

Application: 2W to 6W Single-Ended Amplifiers



OT8SE STD

7/11/2020	SIZE B	FSCM NO	DWG NO OT8SE	REV A
M.P.S.	SCALE	1 : 1	SHEET	Page 1 1 OF 1