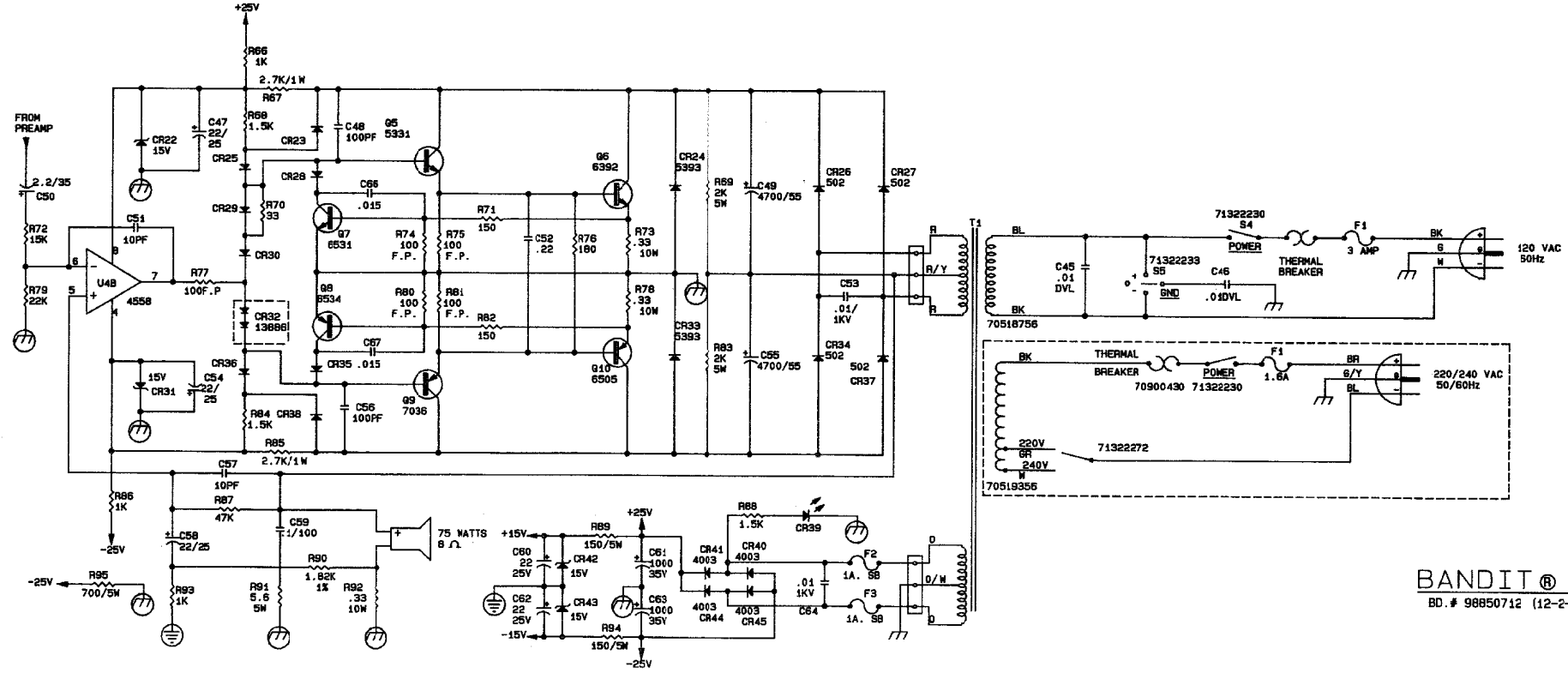


**TRANSISTOR CROSS REFERENCE LIST**

- 576 - 7040576
- 5351 - 7040531
- 8362 - 7040832
- 6505 - 70406505
- 6530 - 70406530
- 6551 - 70406551
- 6533 - 70406533
- 6534 - 70406534
- 7036 - 70407036

NOTES:  
 ALL RESISTORS 1/4W UNLESS NOTED  
 ALL RESISTORS IN OHMS UNLESS NOTED  
 ALL POTS ARE LINEAR UNLESS NOTED  
 ALL CAPACITORS IN MFD UNLESS NOTED  
 ALL DIODES 1N4148 UNLESS NOTED  
 VOLTAGES MAY VARY FROM UNIT TO UNIT  
 LAST REFERENCE DESIGNATOR USED:  
 R57 C68 CR45 J7 S5 U4  
 PATENT PENDING



**BANDIT® 75**  
 BD.# 98850712 (12-2-87)

PEAVEY ELECTRONICS CORP.  
 711 A ST.  
 MERIDIAN, MS

DRAWN BY: *DRB* DATE: 3-21-88

C.B. CK: *DRB*

CK. BY: *[Signature]*

APPR. BY: *[Signature]*

BANDIT 75

