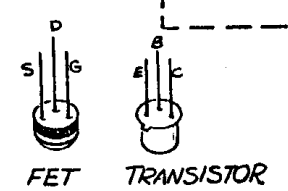
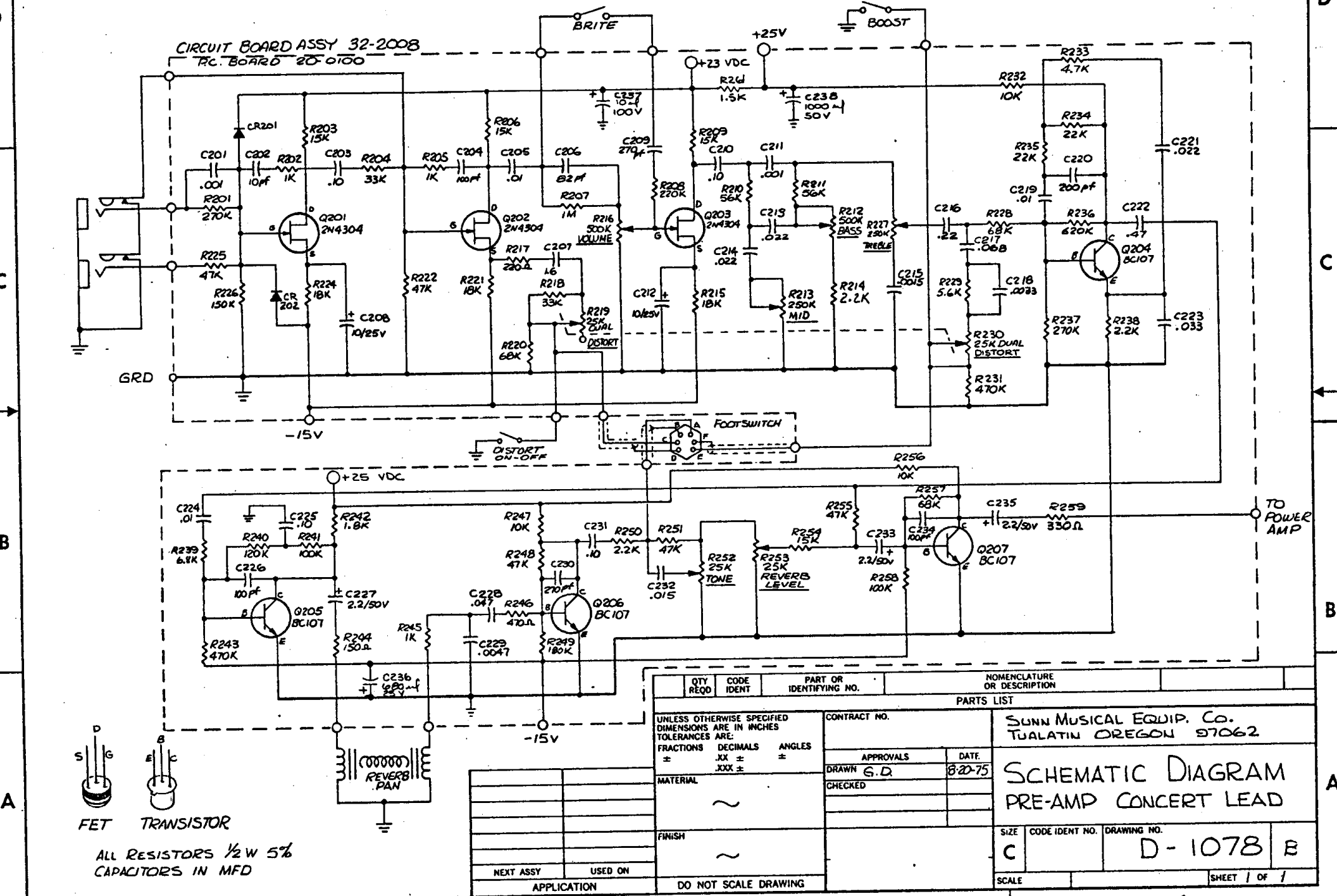


Concert Lead

REVISIONS				
ZONE	LTR	DESCRIPTION	DATE	APPROVED
A		ADDED C237, C237, C234, R201; DELETED R223	11-22-77	F. J.
B		CHG. VALUES TO 68KΩ & 50V W/ SAMPLE R242 & R243	11-28-77	N. J.



ALL RESISTORS 1/2W 5%
CAPACITORS IN MFD

QTY REQD		CODE IDENT	PART OR IDENTIFYING NO.	NOMENCLATURE OR DESCRIPTION
PARTS LIST				
UNLESS OTHERWISE SPECIFIED DIMENSIONS ARE IN INCHES		CONTRACT NO.		
TOLERANCES ARE:		SUNN MUSICAL EQUIP. Co.		
FRACTIONS	DECIMALS	ANGLES	TUALATIN OREGON 97062	
±	.XX ±	±	APPROVALS	DATE
±	.XXX ±	±	DRAWN G.D.	8-20-75
MATERIAL		CHECKED		
FINISH		SIZE CODE IDENT NO. DRAWING NO.		
NEXT ASSY		C D-1078 B		
USED ON		SCALE SHEET 1 OF 1		
APPLICATION		DO NOT SCALE DRAWING		