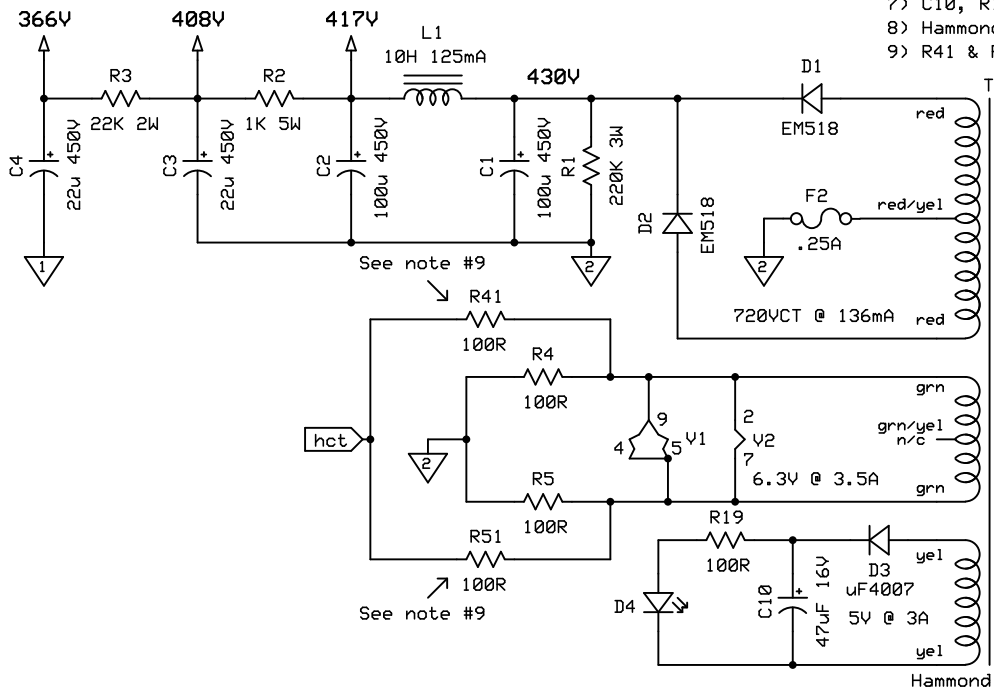


Notes:

- 1) All resistors are 1W MF, unless otherwise noted.
- 2) L1 is Hammond 159P, 10H, 125mA, 155 ohm DCR.
- 3) C6, C7, C8, are Panasonic ECQ series film.
- 4) OT - One Electron UBT2.
- 5) PT Hammond 264AX strapped for 120V mains.
- 6) D4 is 20mA LED.
- 7) C10, R19, D3, D4 are optional for LED only - USE 120V PL otherwise.
- 8) Hammond 274AX 115V Gry primary not used - Tape off and secure.
- 9) R41 & R51 are optional for elevated heaters, omit R4 & R5 if used.



Tube Volt Chart

Pin	V1	V2
1	275	34.5
2	g1	fil
3	2.82	383
4	fil	400
5	fil	g1
6	237	n/c
7	g1	fil
8	1.93	34.5
9	fil	

S.T.A.C.

EL Champ - 5E1 Variant

P. Mitcheltree	Rev 3.0	Page 1 of 1
	8/21/2021	