

FENDER "TREMOLUX" SCHEMATIC

MODEL 669-B

P/B

C-FB

NOTICE

- 1- VOLTAGES READ TO GROUND WITH ELECTRONIC VOLTMETER. VALUES SHOWN + OR - 20%
- 2- ALL RESISTORS 1/2 WATT, 10% TOLERANCE IF NOT SPECIFIED.
- 3- ALL CAPACITORS AT LEAST 400 VOLT RATING IF NOT SPECIFIED.

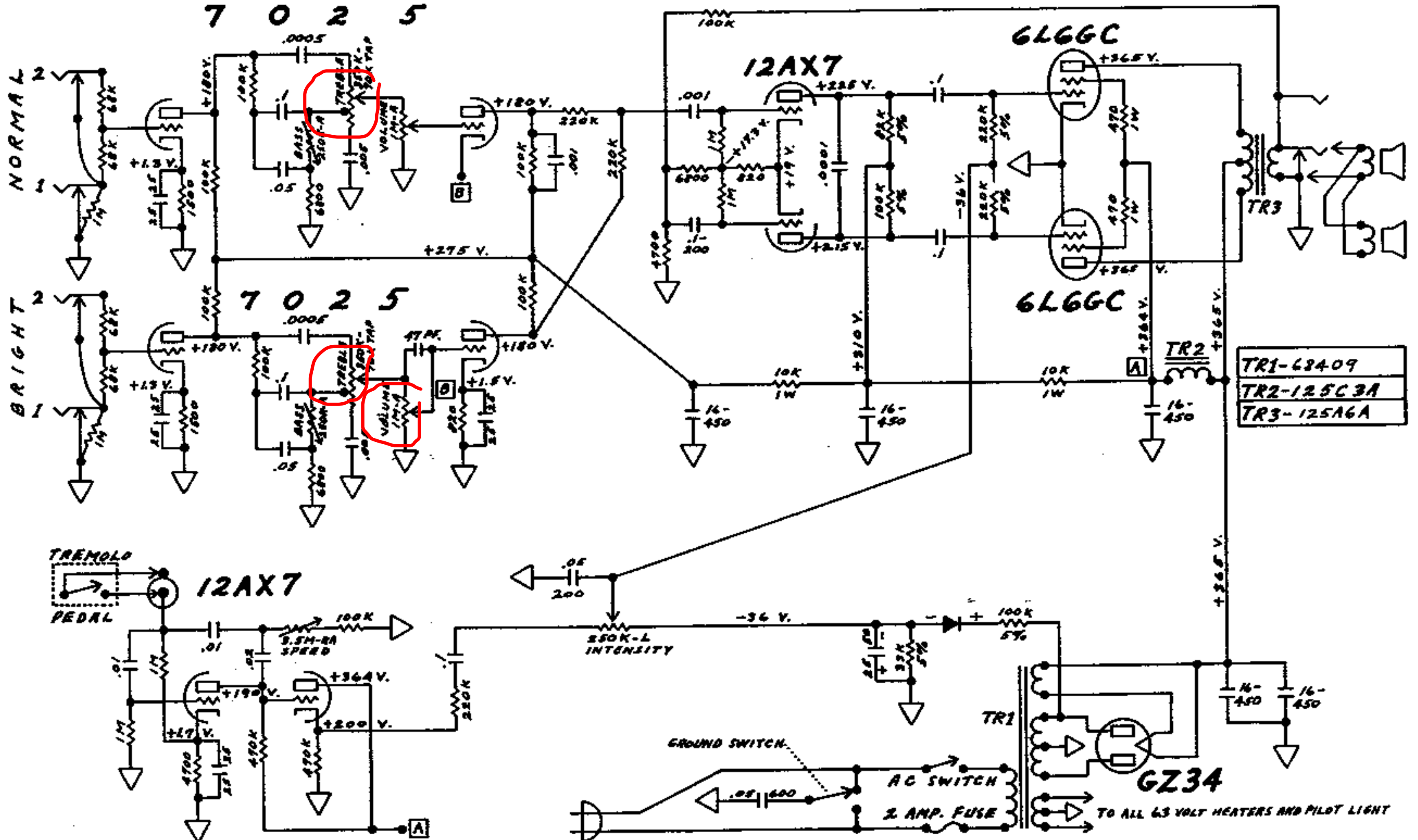
CIRCUIT PATENT #2817708

7 0 2 5

NORMAL

BRIGHT

7 0 2 5



TR1-63409
TR2-125C3A
TR3-125A6A

FENDER MUSICAL INSTRUMENTS
 A DIVISION OF COLUMBIA RECORD DISTRIBUTION CORP.
 SANTA ANA, CALIFORNIA
 U.S.A.

