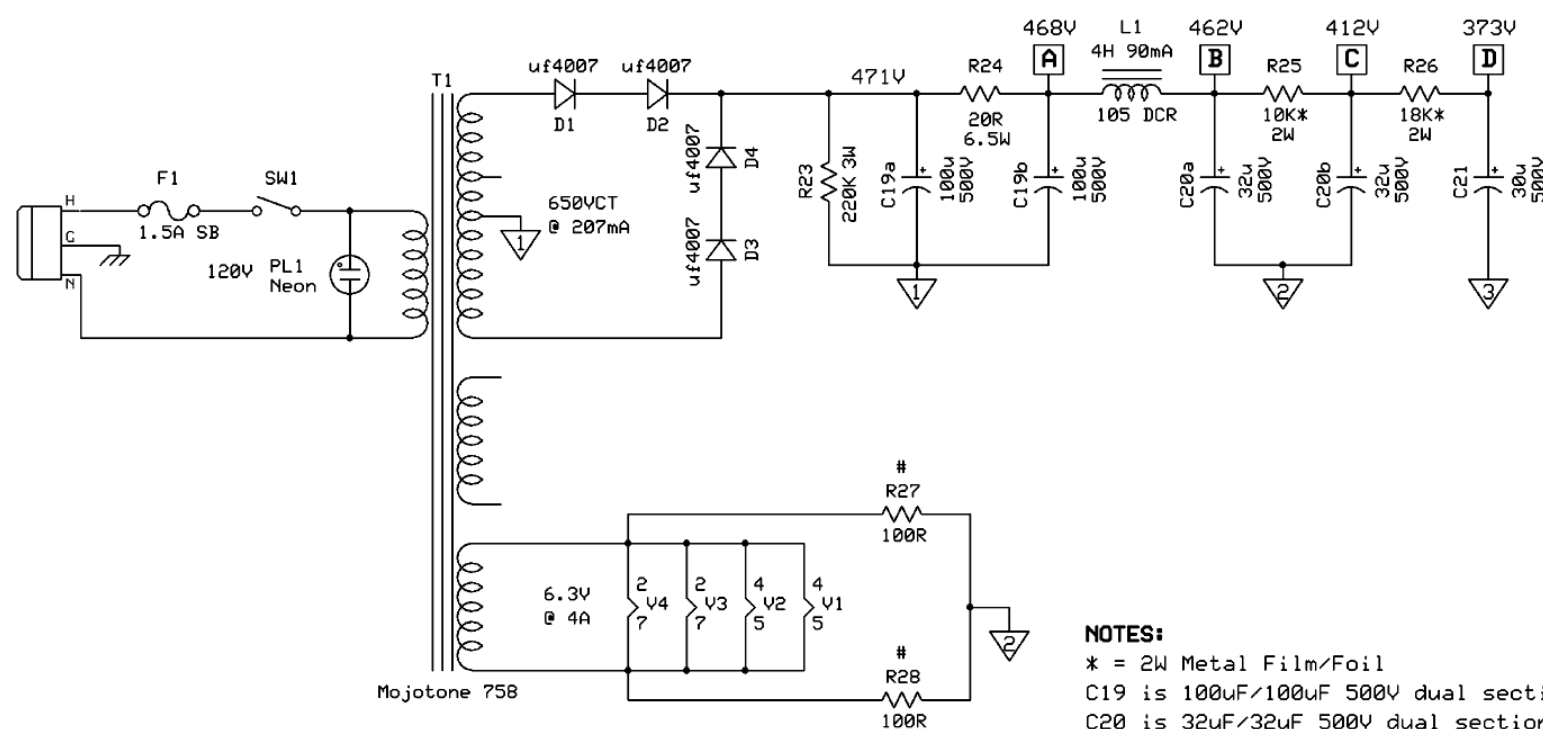
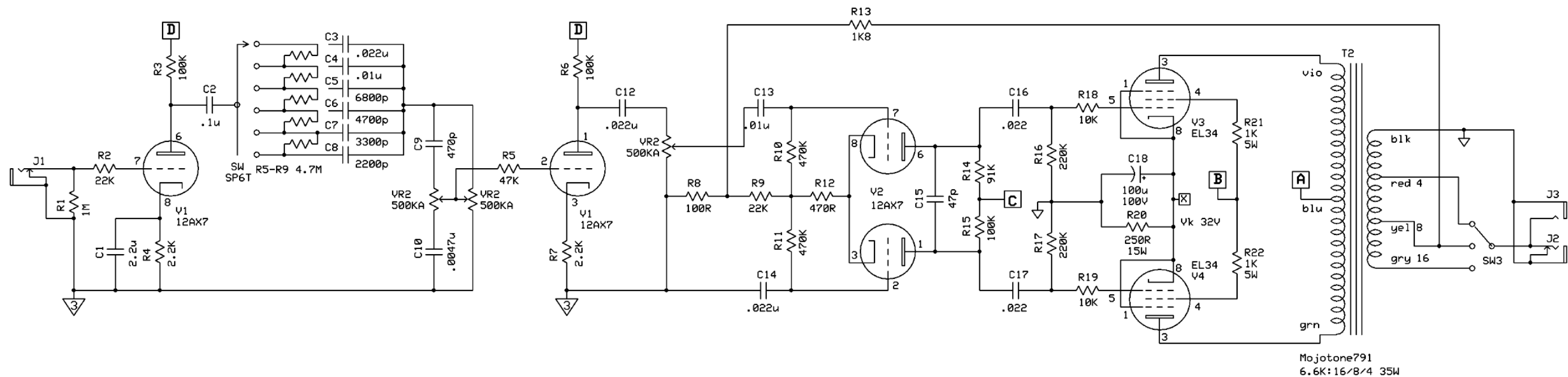


S.T.A.C. Austin, TX		Boilermaker Board Fab		REV	A
				DWG NO	20141004004
Draft by: Pete Mitcheltree		SIZE	C	SCALE	1 : 1
		FSCM NO		SAE	



Tube Voltage Chart

	V1	V2	V3	V4
1	264	258	34	34
2	g1	g1	fil	fil
3	2.34	69.5	461	460
4	fil	fil	458	456
5	fil	fil	g1	g1
6	262	258	n/c	n/c
7	g1	g1	fil	fil
8	2.40	69.5	34	34
9	fil	fil	n/a	n/a

NOTES:

* = 2W Metal Film/Foil
 C19 is 100uF/100uF 500V dual section 1.375" can.
 C20 is 32uF/32uF 500V dual section 1.375" can.
 All resistors 1W carbon film unless otherwise noted.
 R5-9 are 1/8W MF low noise 4.7M.
 All coupling caps are 630DCV.
 Voltages indicated are design estimates.
 # - R27 & R28 used with Mojotone 758 PT.
 6.3 CT used only with Hammond 290CX or PT with CT omit R27-28

Rev1.0 > Rev1.1 11/29/2014
 Added NFB R8 & R13
 Added HV bleeder R23
 Rev1.0 > Rev1.2 02/12/2017
 Added C15 > 47p 1KV
 Changed R9 & R12
 Added Bass Contour network