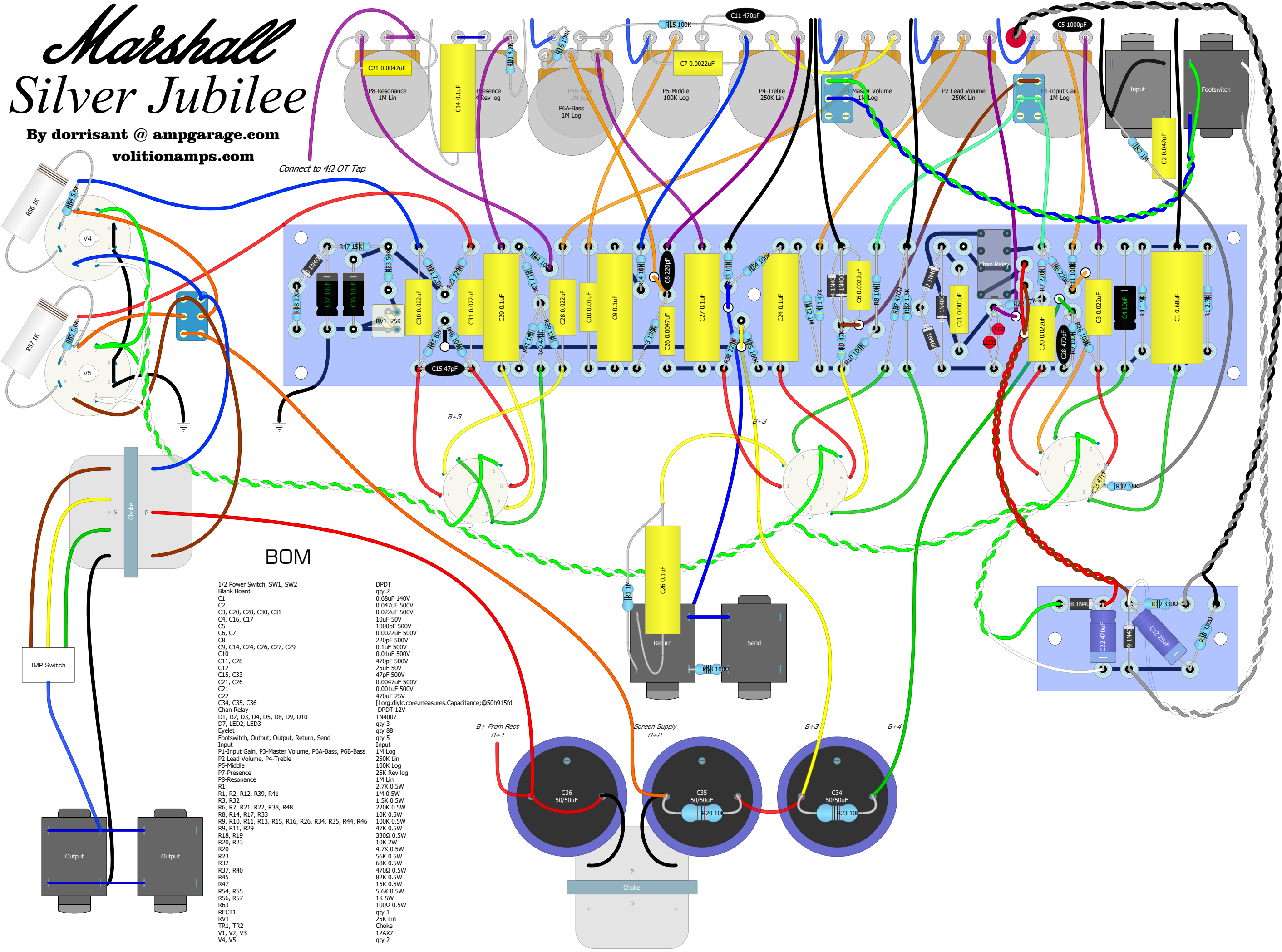


# Marshall Silver Jubilee

By **dorrisant @ ampgarage.com**  
**volitionamps.com**



## BOM

- |  |   |
|--|---|
| 1/2 Power Switch, SW1, SW2                           | DPDT  |
| Blank Board  | qty 2   |
| C1   | 0.68uF 140V                                     |
| C2   | 0.047uF 500V                                    |
| C3, C20, C28, C30, C31                               | 0.022uF 500V                                    |
| C4, C16, C17   | 10uF 50V  |
| C5   | 1000pF 500V                                     |
| C6, C7   | 0.0022uF 500V                                   |
| C8   | 220pF 500V                                      |
| C9, C14, C24, C26, C27, C29                          | 0.1uF 500V                                      |
| C10  | 0.01uF 500V                                     |
| C11, C28   | 470pF 500V                                      |
| C12  | 25uF 50V  |
| C15, C33   | 47pF 500V                                       |
| C21, C26   | 0.0047uF 500V                                   |
| C21  | 0.001uF 500V                                    |
| C22  | 470uF 25V                                       |
| C34, C35, C36  | [Lorg.diytc.core.measures.Capacitance;@50b915fd |
| Chan Relay   | DPDT 12V  |
| D1, D2, D3, D4, D5, D8, D9, D10                      | 1N4007  |
| D7, LED2, LED3                                       | qty 3   |
| Eyelet   | qty 88  |
| Footswitch, Output, Output, Return, Send             | qty 5   |
| Input  | Input   |
| P1-Input Gain, P3-Master Volume, P6A-Bass, P6B-Bass  | 1M Log  |
| P2 Lead Volume, P4-Treble                            | 250K Lin  |
| P5-Middle  | 100K Log  |
| P7-Presence  | 25K Rev log                                     |
| P8-Resonance   | 1M Lin  |
| R1   | 2.7K 0.5W                                       |
| R1, R2, R12, R39, R41                                | 1M 0.5W   |
| R3, R32  | 1.5K 0.5W                                       |
| R6, R7, R21, R22, R38, R48                           | 220K 0.5W                                       |
| R8, R14, R17, R33                                    | 10K 0.5W  |
| R9, R10, R11, R13, R15, R16, R26, R34, R35, R44, R46 | 100K 0.5W                                       |
| R9, R11, R29   | 47K 0.5W  |
| R18, R19   | 330Q 0.5W                                       |
| R20, R23   | 10K 2W  |
| R20  | 4.7K 0.5W                                       |
| R23  | 56K 0.5W  |
| R32  | 68K 0.5W  |
| R37, R40   | 470Q 0.5W                                       |
| R45  | 82K 0.5W  |
| R47  | 15K 0.5W  |
| R54, R55   | 5.6K 0.5W                                       |
| R56, R57   | 1K 5W   |
| R63  | 100Q 0.5W                                       |
| RECT1  | qty 1   |
| RV1  | 25K Lin   |
| TR1, TR2   | Choke   |
| V1, V2, V3   | 12AX7   |
| V4, V5   | qty 2   |