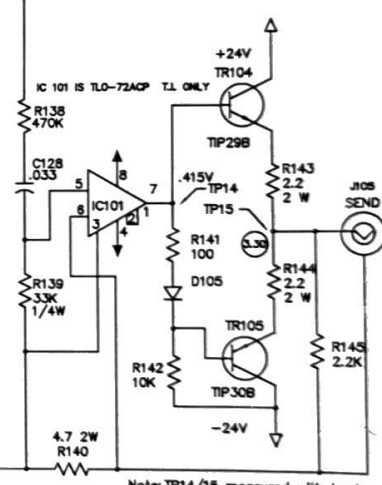
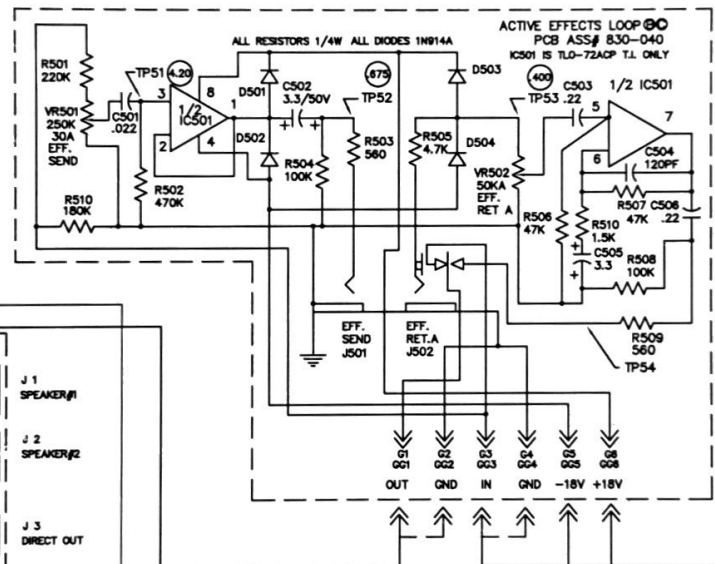
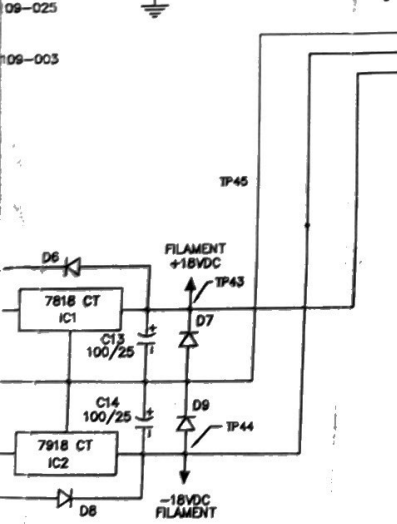
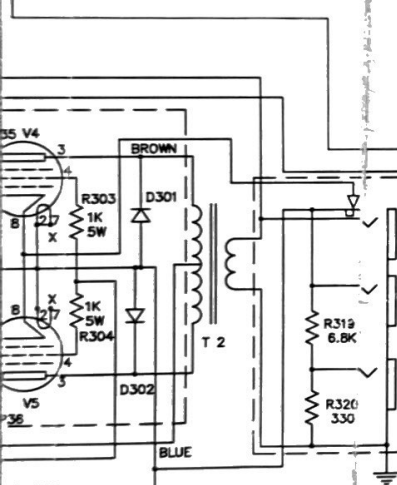
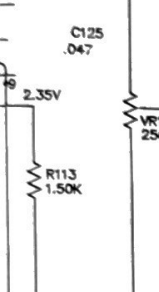
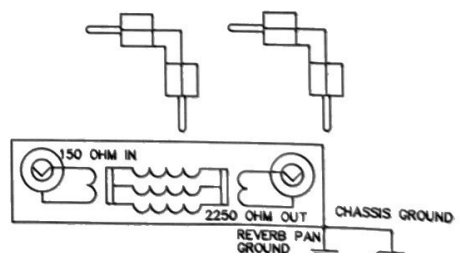


110  
00.0K  
- TP11



- ⊙ 30 WATT MODELS
- ⊙ 55W MODELS
- ⊙ 100W MODELS
- ⊙ CSA VERSIONS
- ⊙ NEMKO/CB VERSIONS

- NOTES:
1. ALL COUPLING CAPACITORS MPC TYPE
  2. ALL POWER SUPPLY FILTER CAPS 105C TYPE
  3. WIRE TYPE FOR B+ AND FILAMENTS 105C, TEFLON PREFERRED
  4. ALL TRIODES 12AX7A TYPE
  5. ALL POWER TUBES SHOULD BE REPLACED IN TESTED PAIRS
  6. OBSERVE DIFFERENT GROUND POTENTIALS
  7. DISCHARGE ALL POWER SUPPLY POINTS BEFORE SERVICING
  8. ALL MEASUREMENTS TAKEN AT NOMINAL MAINS VOLTAGE
  9. ALL MEASUREMENTS TAKEN AT NOMINAL MAINS VOLTAGE
  10. TEST SIGNAL 1KHz, 25 mVAC AT PREAMP INPUT
  11. ADJUST PREAMP FOR 2 VOLTS AC AT TP31/21
  12. SET PRESENCE CONTROL AT 1
  13. TP41 BIAS ADJUST: -37VDC EL-34, -47 6L6GC, -52 6550A
  14. NEVER USE CHINESE OUTPUT TUBES. MECHANICALLY UNSTABLE

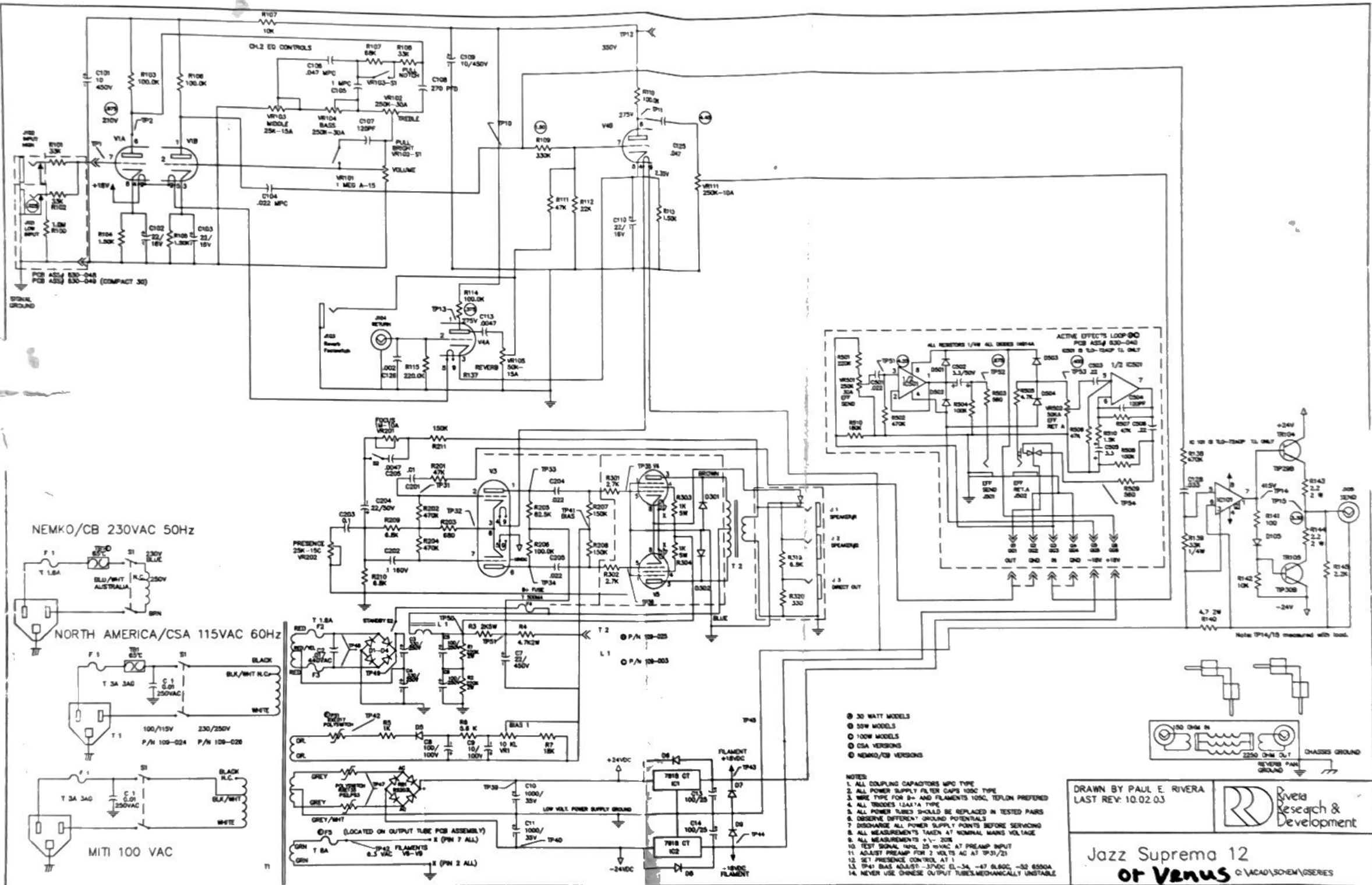


DRAWN BY PAUL E. RIVERA  
LAST REV: 10.02.03



Jazz Suprema 12  
**OF VENUS**  
C:\ACAD\SCHEM\GSERIES

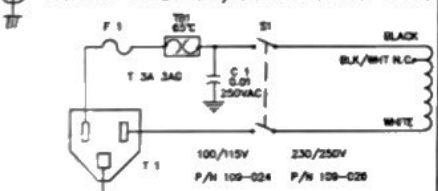




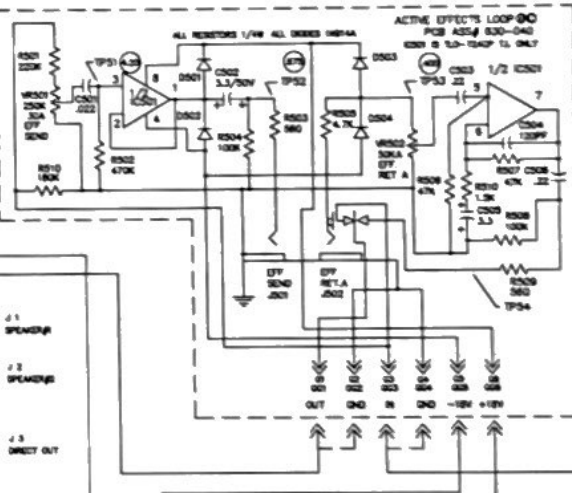
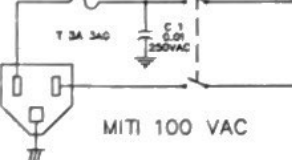
NEMKO/CB 230VAC 50Hz



NORTH AMERICA/CSA 115VAC 60Hz



MITI 100 VAC



- 30 WATT MODELS
- 50W MODELS
- 100W MODELS
- CSA VERSIONS
- NEMKO/CB VERSIONS

- NOTES:
1. ALL COUPLING CAPACITORS MPC TYPE
  2. ALL POWER SUPPLY FILTER CAPS 105C TYPE
  3. WIRE TYPE FOR B+ AND FILAMENTS 105C, TEFLON PREFERRED
  4. ALL TUBES 12AX7A TYPE
  5. ALL POWER TUBES SHOULD BE REPLACED IN TESTED PAIRS
  6. OBSERVE DIFFERENT GROUND POTENTIALS
  7. DISCHARGE ALL POWER SUPPLY POINTS BEFORE SERVICING
  8. ALL MEASUREMENTS TAKEN AT NOMINAL MAINS VOLTAGE
  9. ALL MEASUREMENTS +/- 20%
  10. TEST SIGNAL 1kHz, 20 mV AC AT PREAMP INPUT
  11. ADJUST PREAMP FOR 2 VOLTS AC AT TP31/21
  12. SET PRESENCE CONTROL AT 1
  13. TP43 BIAS ADJUST -37VDC EL-34, -47.6L80C, -52.6500A
  14. NEVER USE CHINESE OUTPUT TUBES, MECHANICALLY UNSTABLE

DRAWN BY PAUL E RIVERA  
LAST REV: 10.02.03



Jazz Suprema 12  
OF VENUS  
Deux