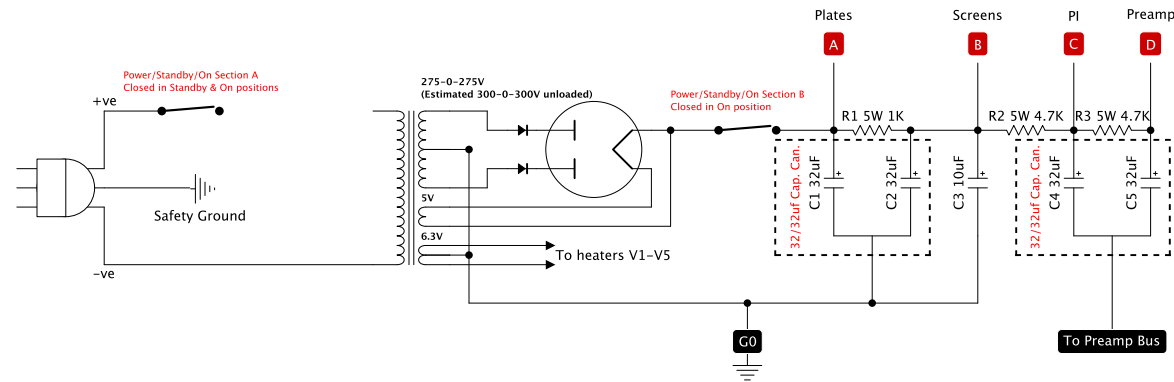


Reverb Filter Cap
C6 500V 47µF



Power/Standby/On Section A
Closed in Standby & On positions

275-0-275V
(Estimated 300-0-300V unloaded)

Power/Standby/On Section B
Closed in On position

- G0 Power Ground - Filter Cap Ground Lug
- G1 PI Balance Pot Strip Ground Lug
- G2 PI Strip Ground Lug
- G3 Preamp Strip Ground Lug
- G4 Reverb Strip Ground Lug
- G5 Input Jack Ground