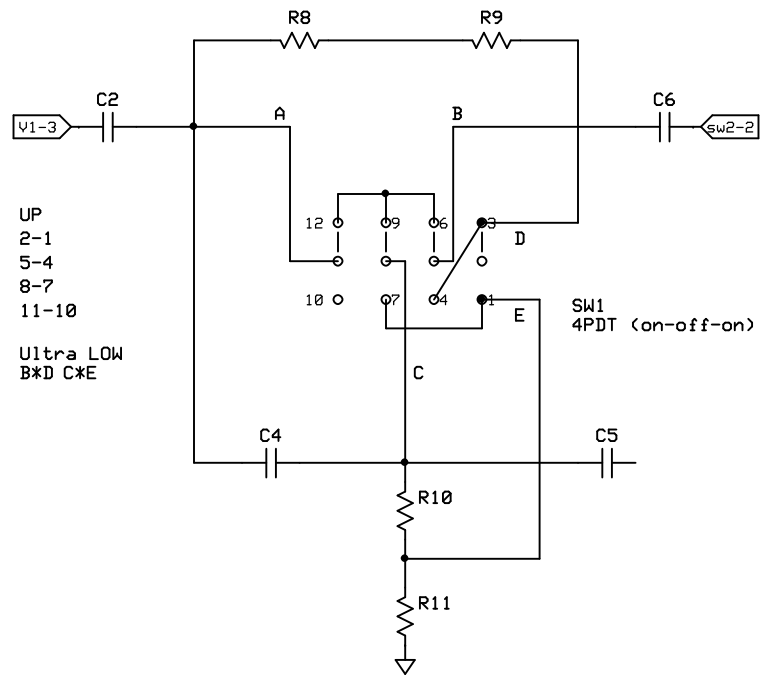


DN	CTR	UP
2-3	N/C	2-1
5-6	N/C	5-4
8-9	N/C	8-7
11-12	N/C	11-10
OFF	Bass CUT	Ultra LOW
A*B*C	N/C	B*D C*E



S.T.A.C.		
SYT slide sw 2 Toggle sw		
P. Mitchelree	Rev 2.0	Page 1 of 1
	7/2/2025	